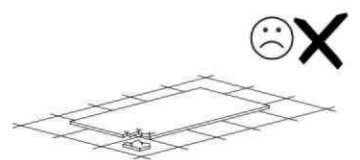
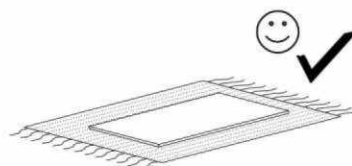
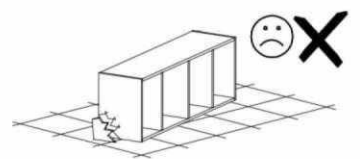
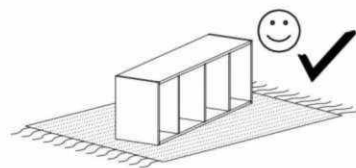
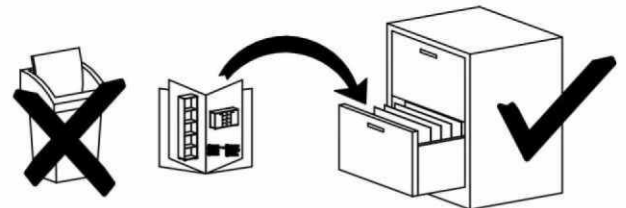
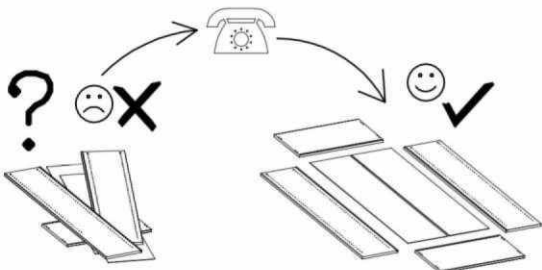
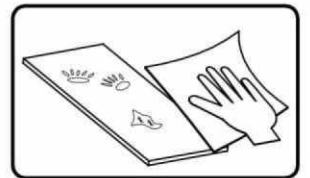
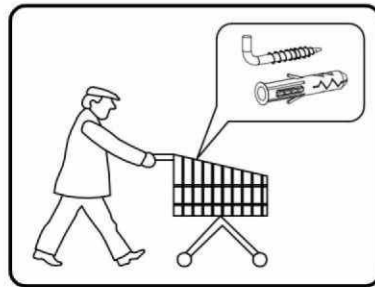
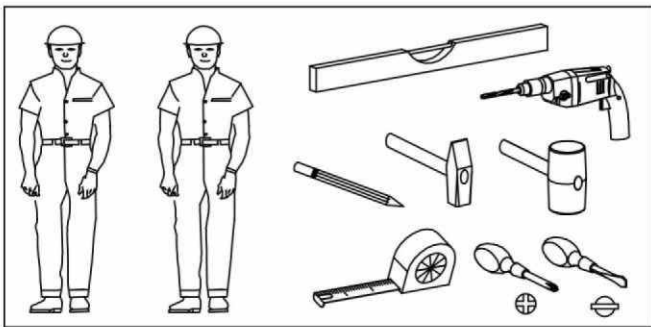
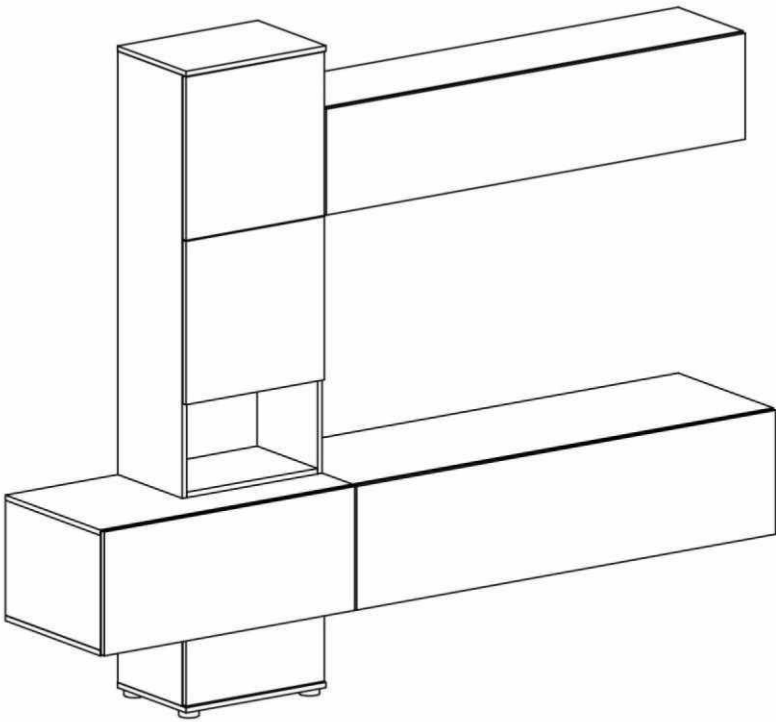
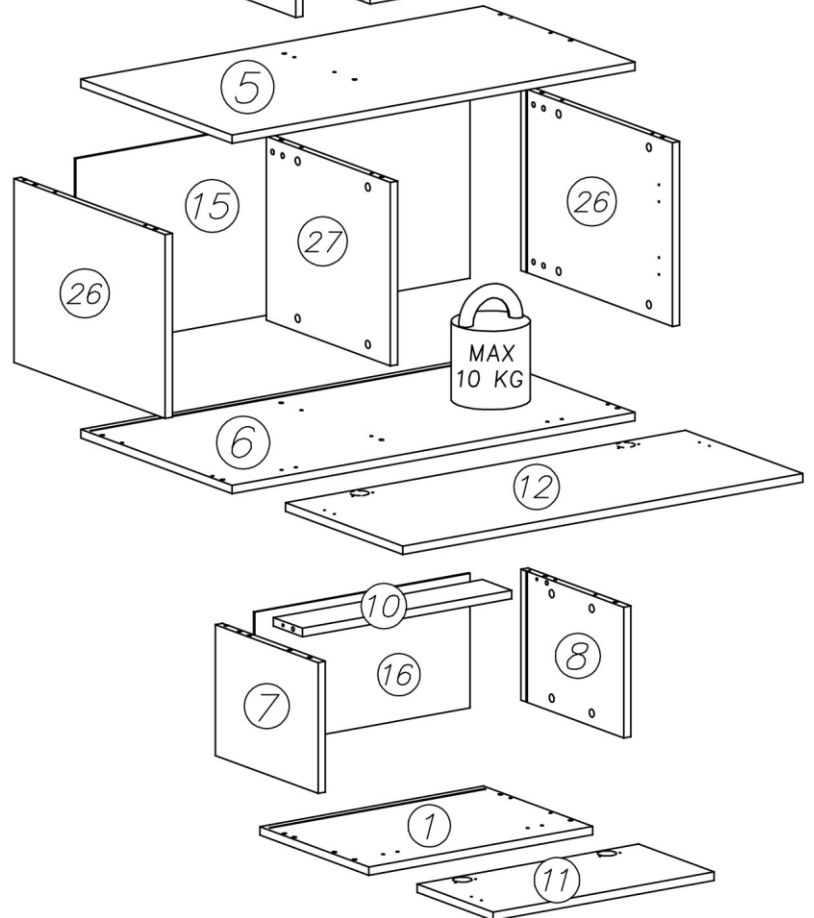
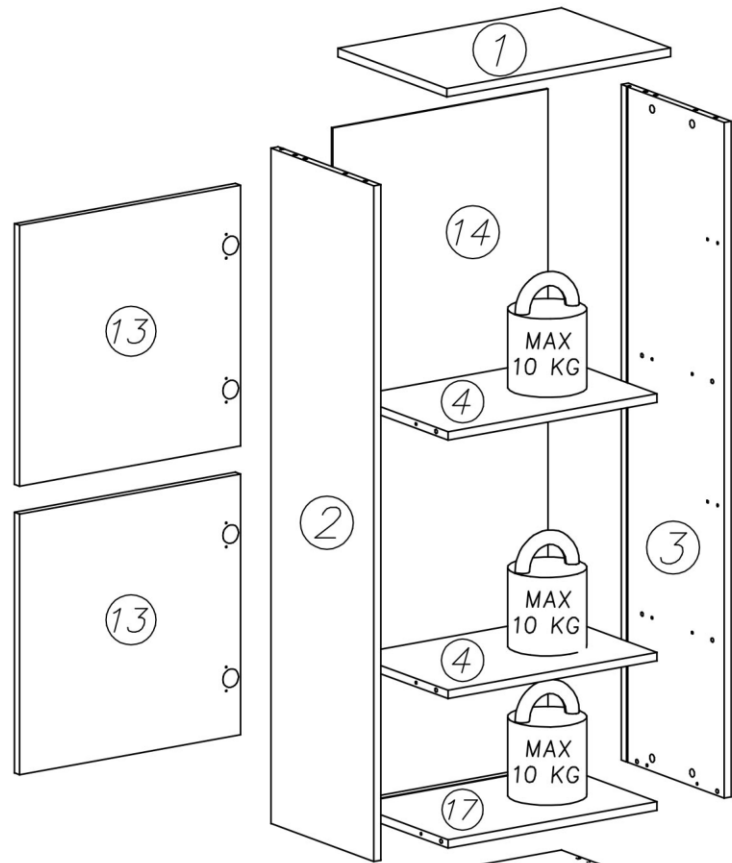
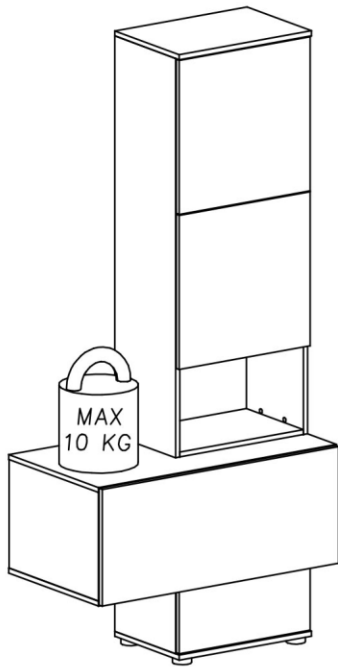
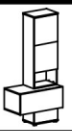
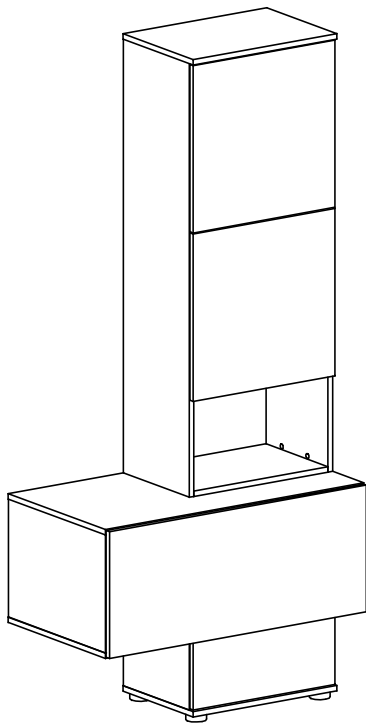
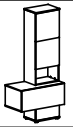


# BRISTOL

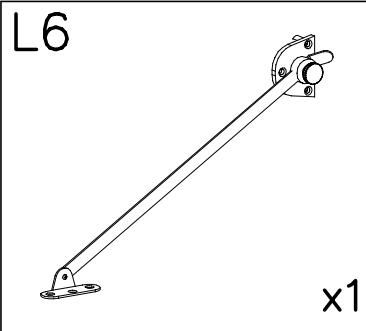
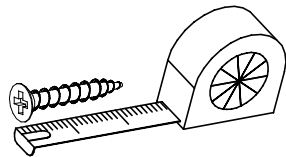
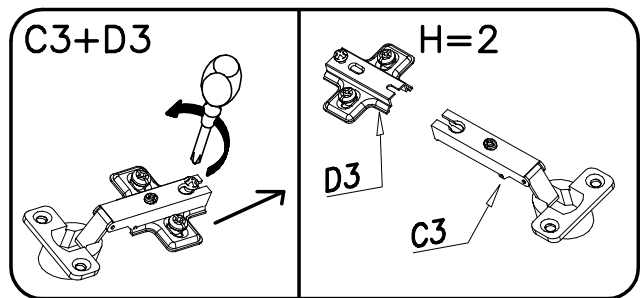
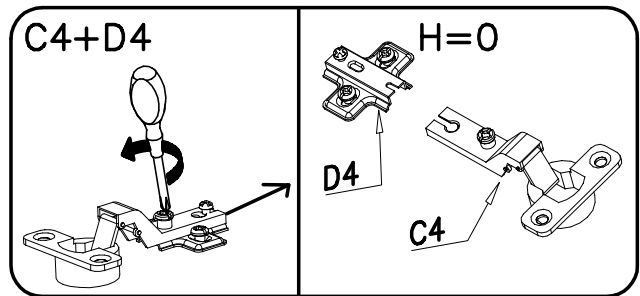
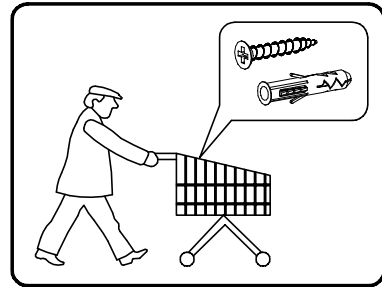




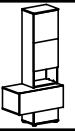
nr	L[mm]	B[mm]	T[mm]	Menge	Colli
1	500	348	16	2	2/4
2	1280	328	16	1	2/4
3	1280	328	16	1	2/4
4	467	308	16	2	1/4
5	900	483	16	1	1/4
6	900	483	16	1	1/4
7	248	328	16	1	1/4
8	248	328	16	1	1/4
10	467	93	16	1	1/4
11	494	242	16	1	2/4
12	894	374	16	1	1/4
13	494	494	16	2	2/4
14	1276	479	3	1	2/4
15	879	360	3	1	1/4
16	254	479	3	1	1/4
17	467	328	16	1	2/4
26	348	483	16	2	1/4
27	348	396	16	1	1/4



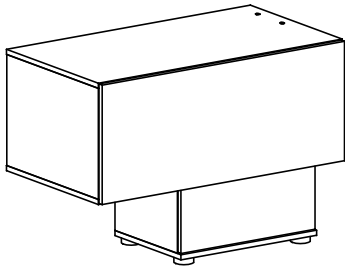
Colli 1  
Colli 2



	K1  x1	ø15x12 x42	P20  x4	G12  4x25 x4
C4+D4  ø35 H=0 x2	G32  3,5x16 x8	I7  ø18 x42	M11  x1	I10  ø10 x10
K10  x42	I1  x24	L8  60N x2	C3+D3  ø35 H=2 x6	Z35PR x6
B1  ø8x35 x42	G34  3,5x16 x42	L11  x5	G50  6x13 x10	

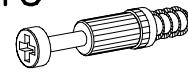


I



x2

K10



x6

B1



ø8x35

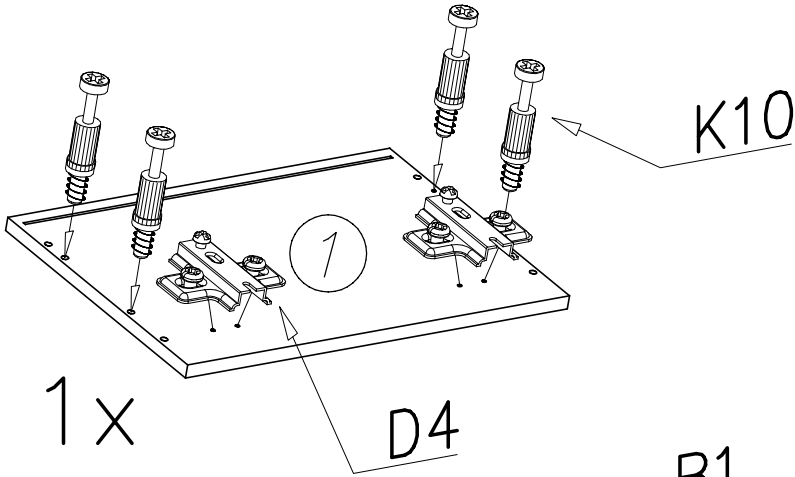
x10

K1



ø15x12

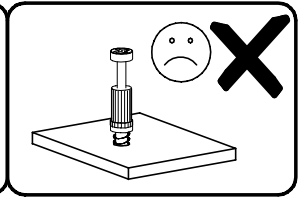
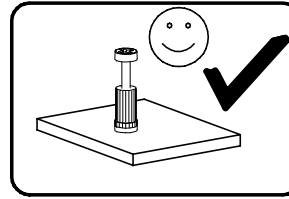
x10



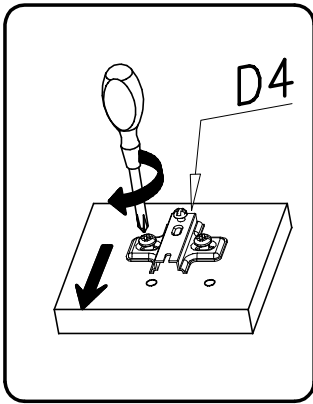
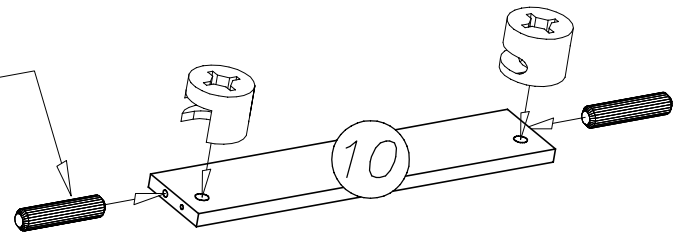
1x

D4

K10

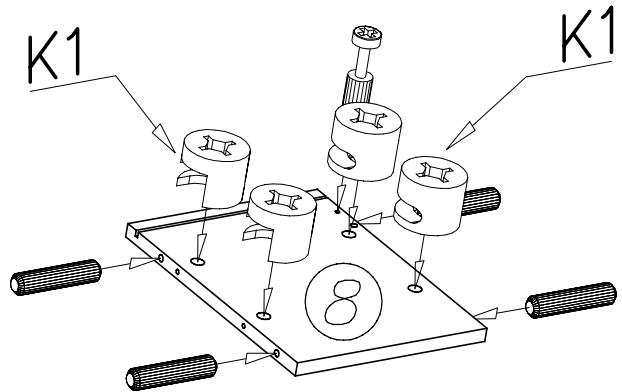


B1



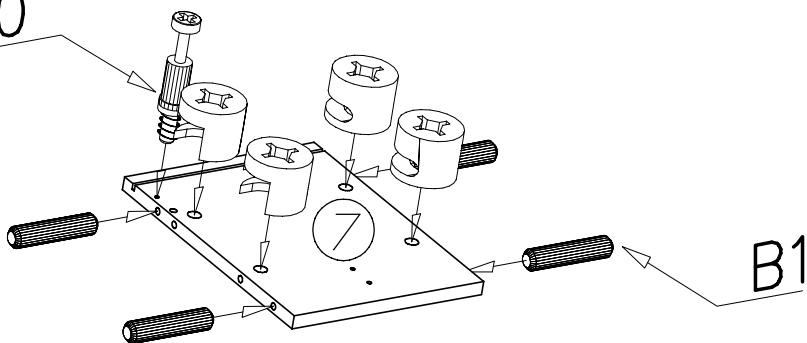
D4

K1

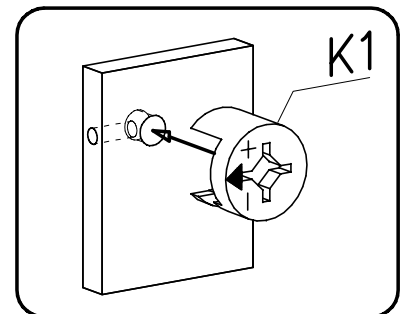


K1

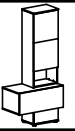
K10



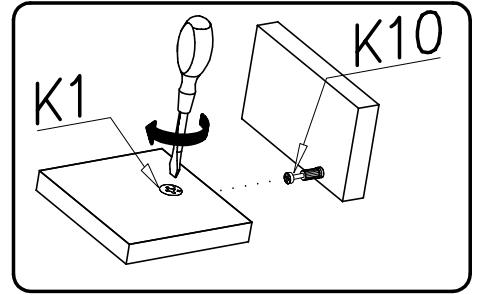
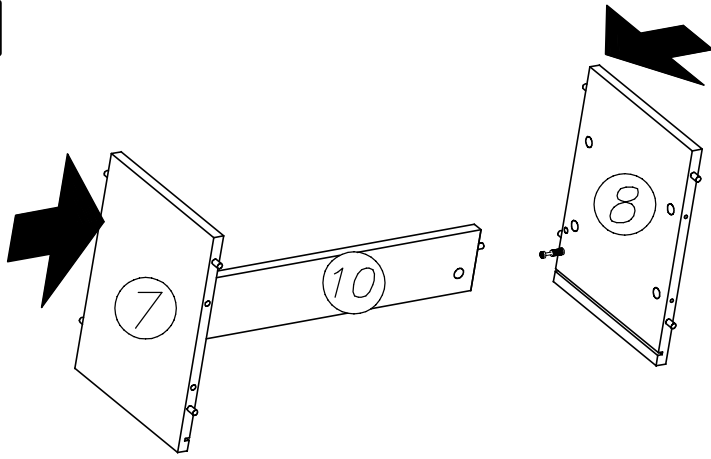
B1



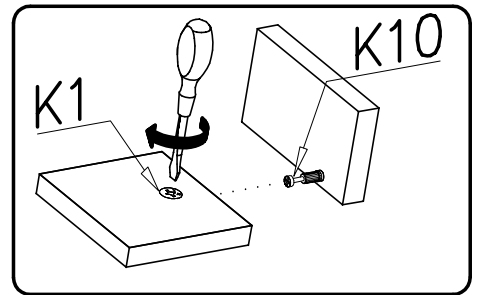
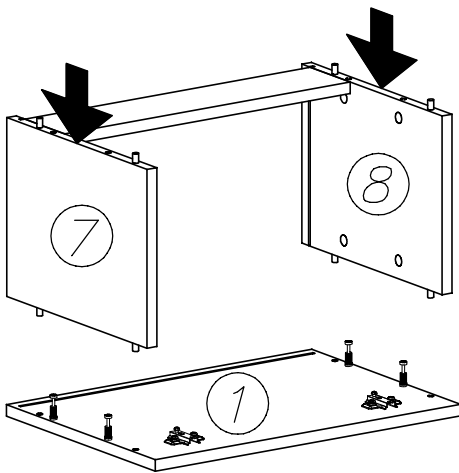
K1



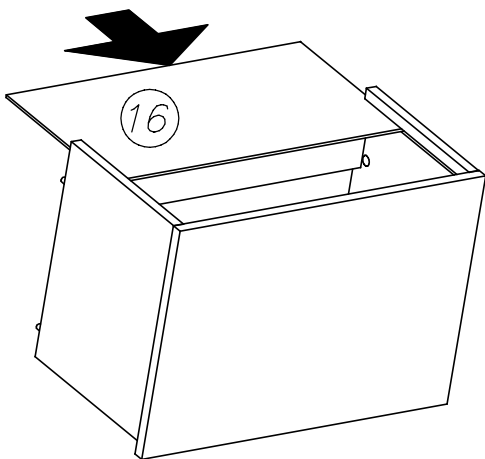
II



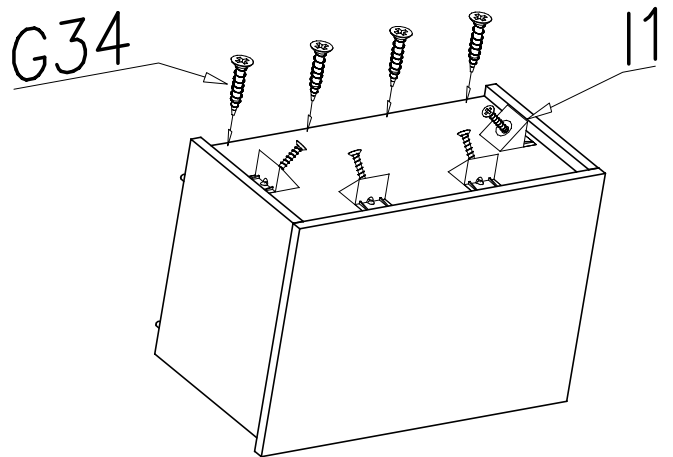
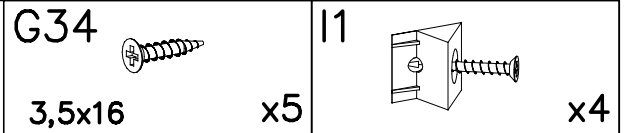
III



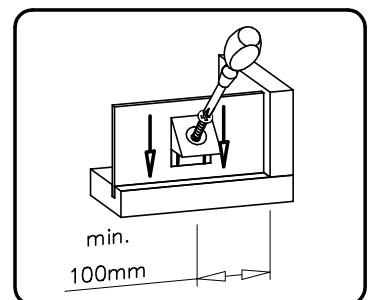
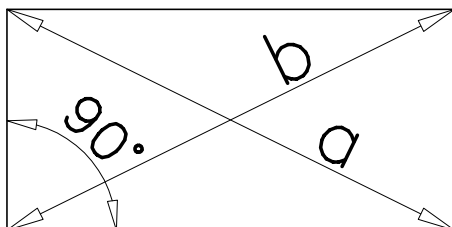
IV

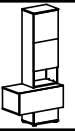


V

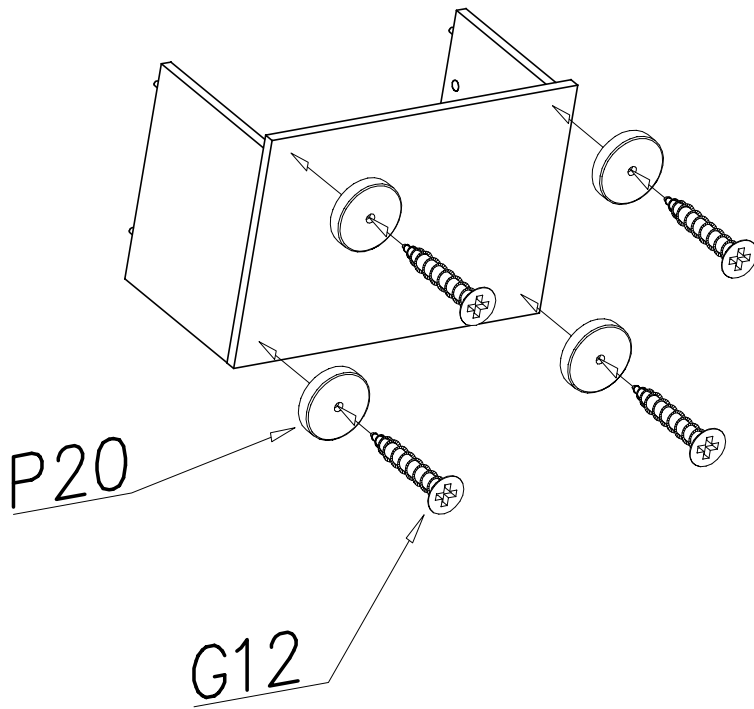


$a = b$

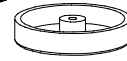




VI

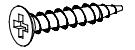


P20



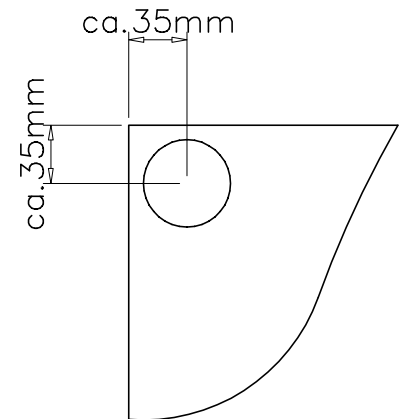
x4

G12

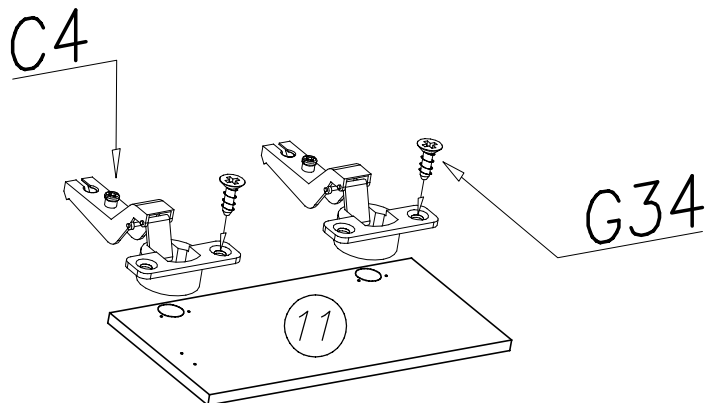


4x25

x4



VII



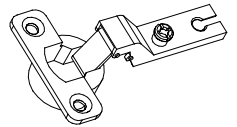
G34



3,5x16

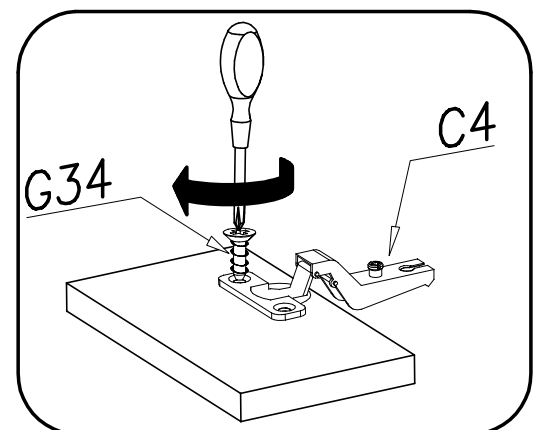
x4

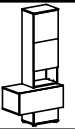
C4



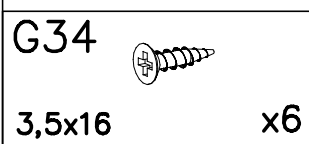
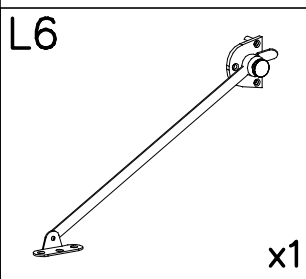
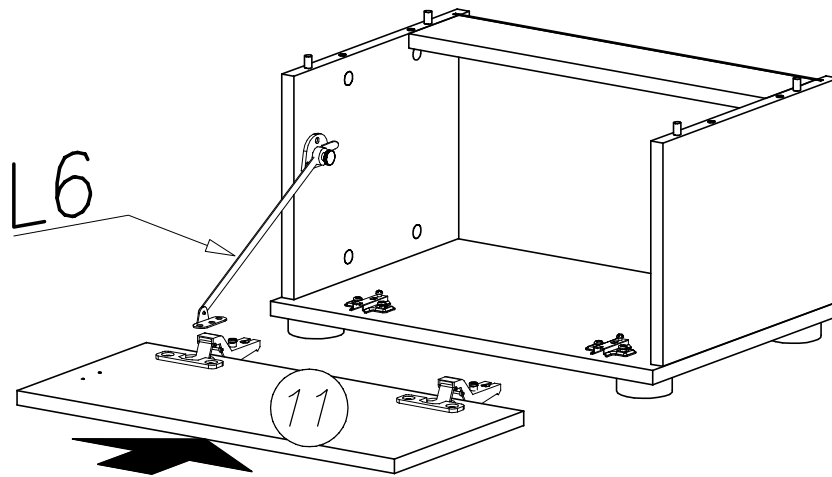
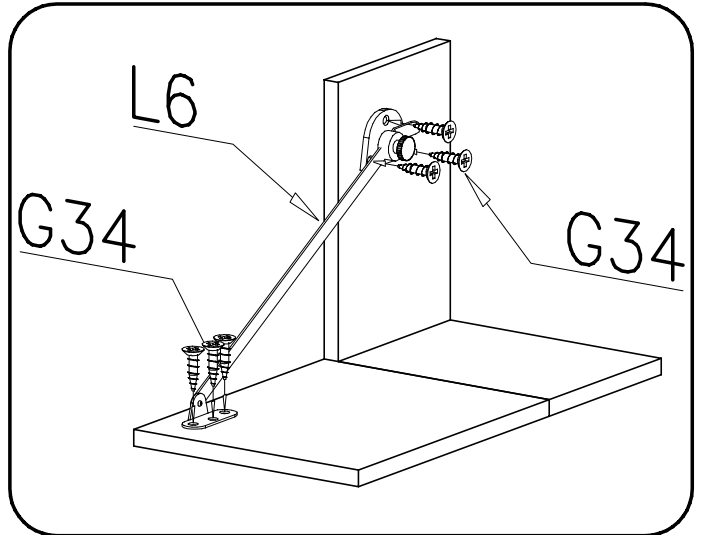
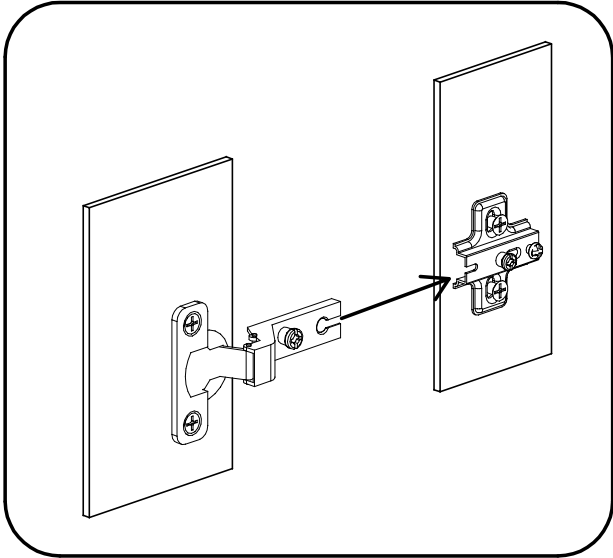
ø35

x2





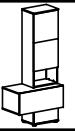
VIII



G34

x1 3,5x16

x6



## IX

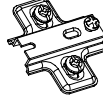
K1



∅15x12

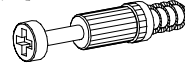
x12

D3



x2

K10



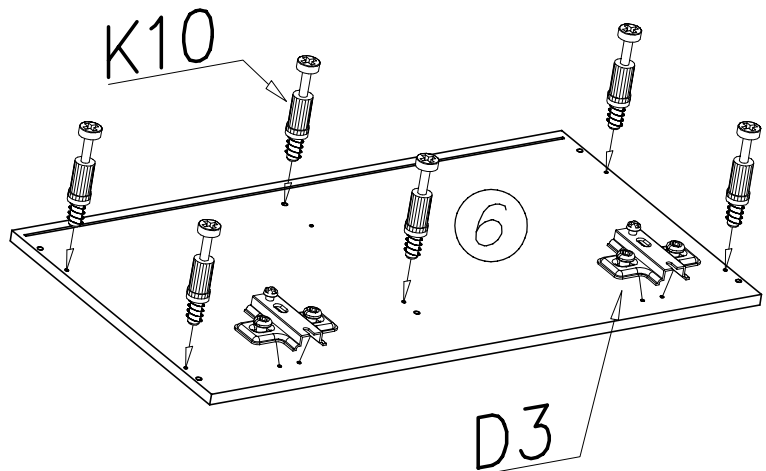
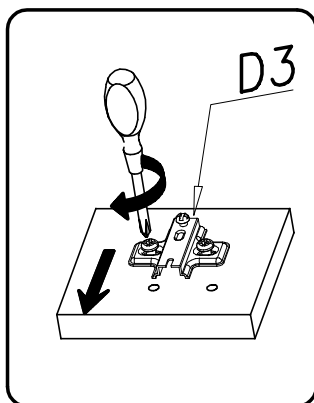
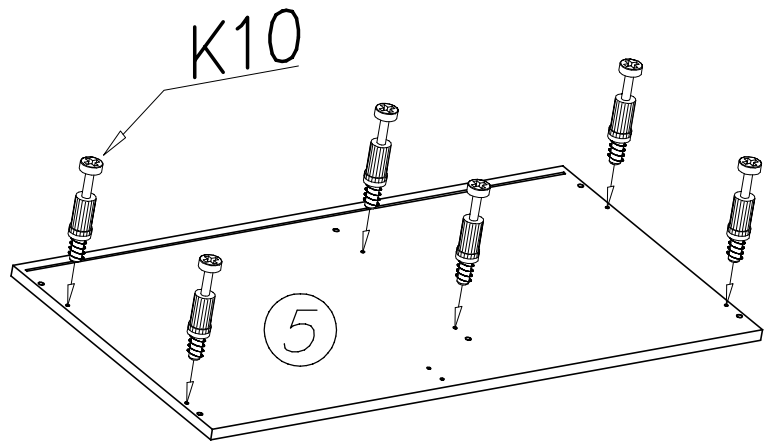
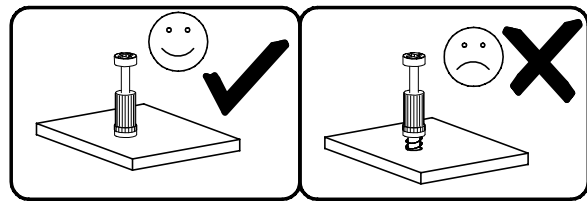
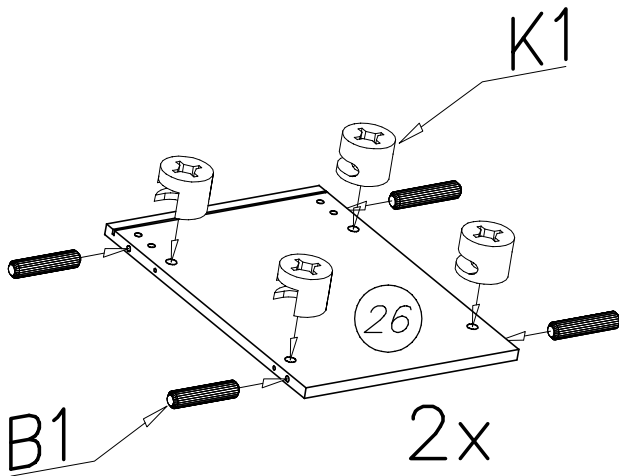
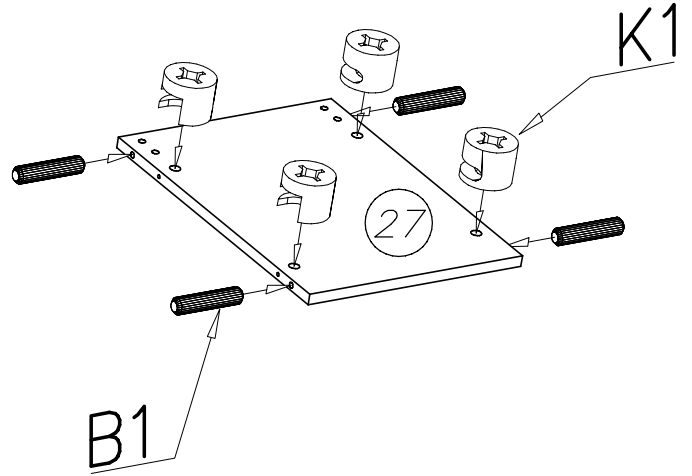
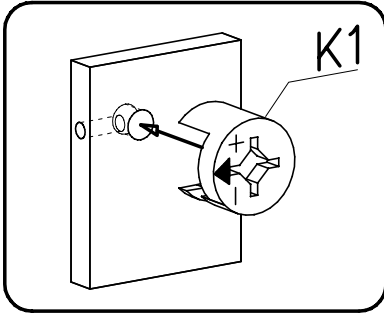
x12

B1

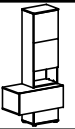


∅8x35

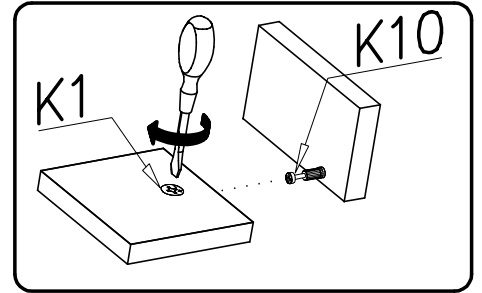
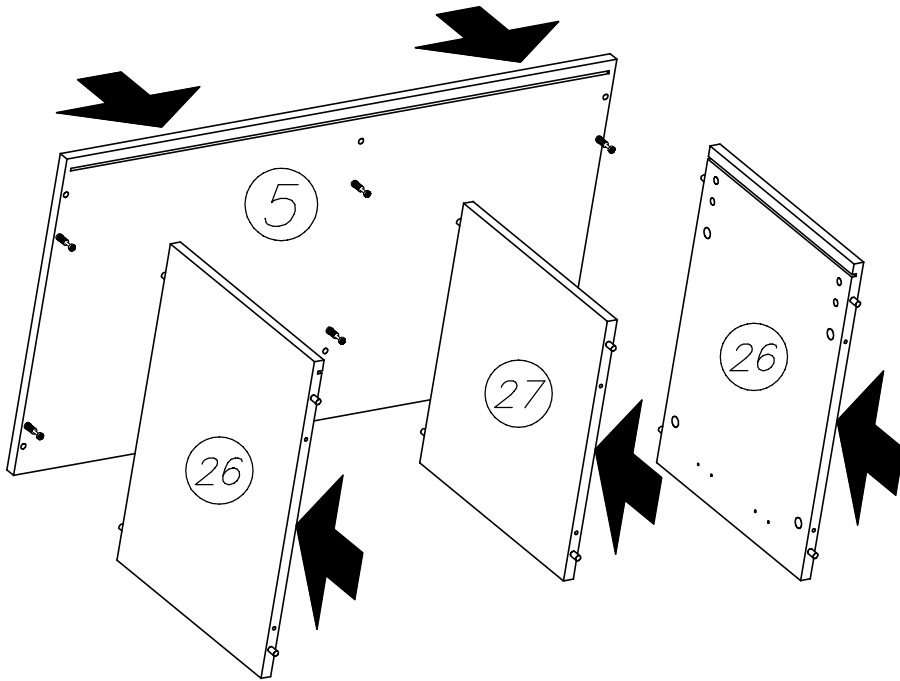
x12



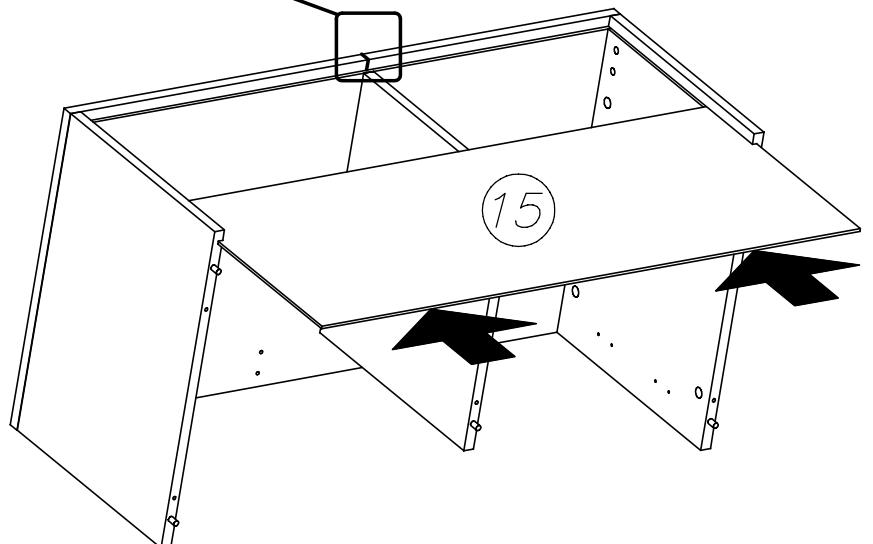
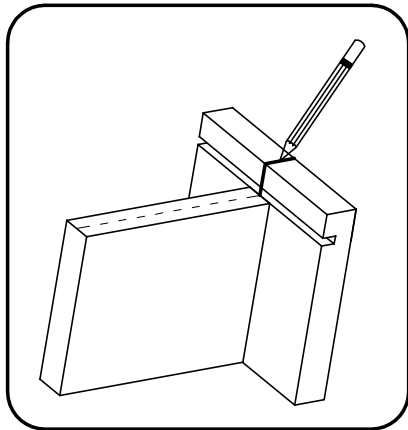


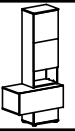


## X

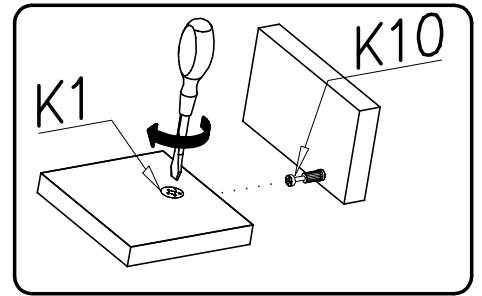
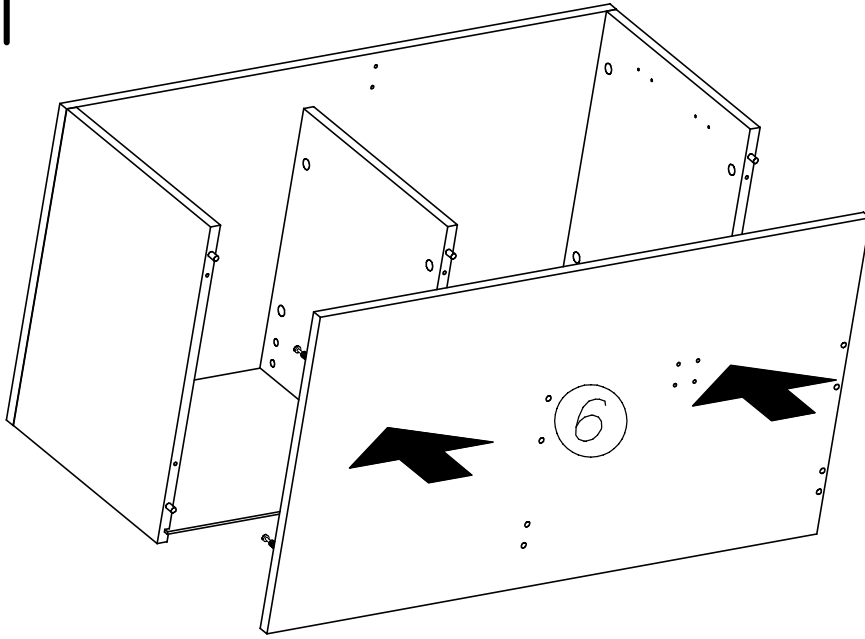


## XI

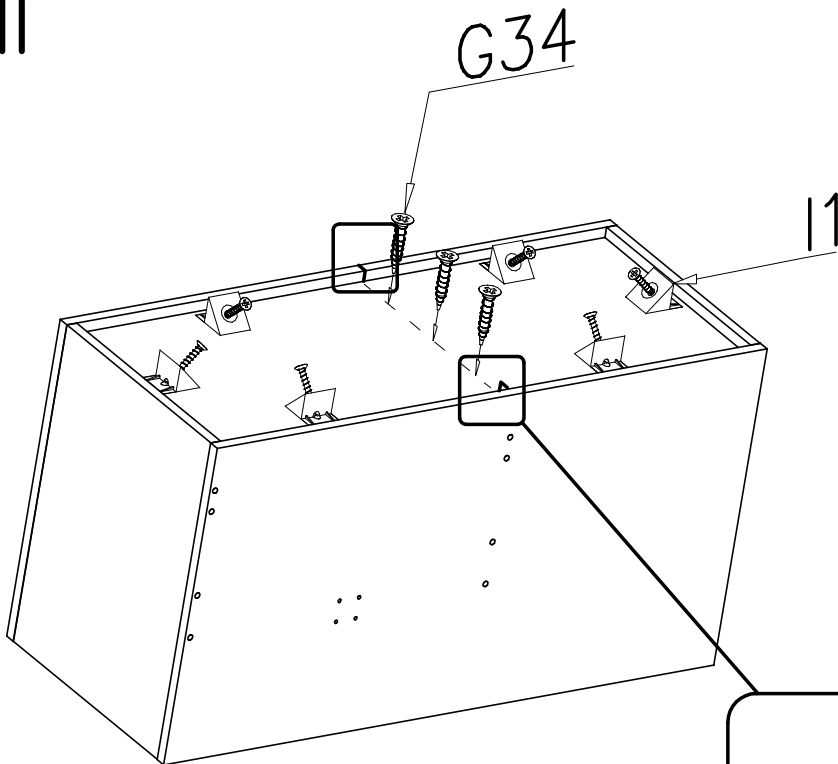




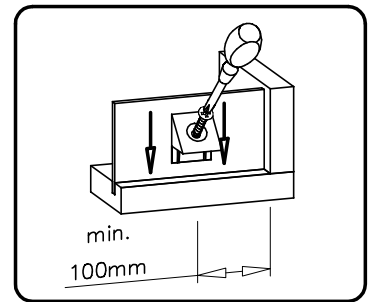
XII



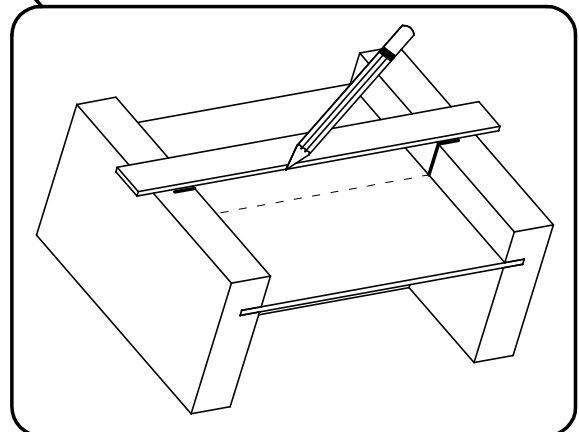
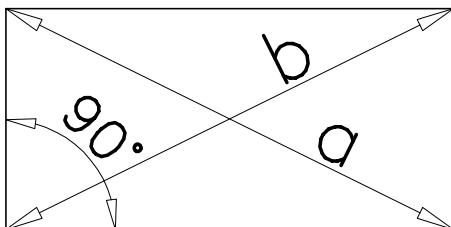
XIII

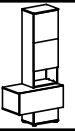


I1		x6
G34		x3
	3,5x16	

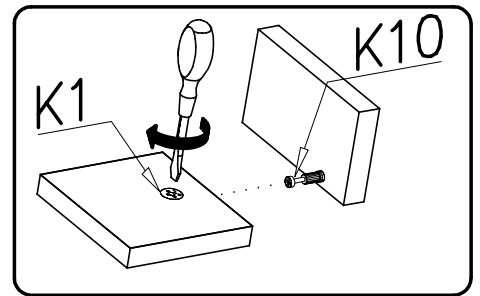
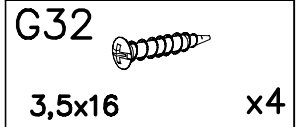
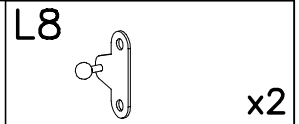
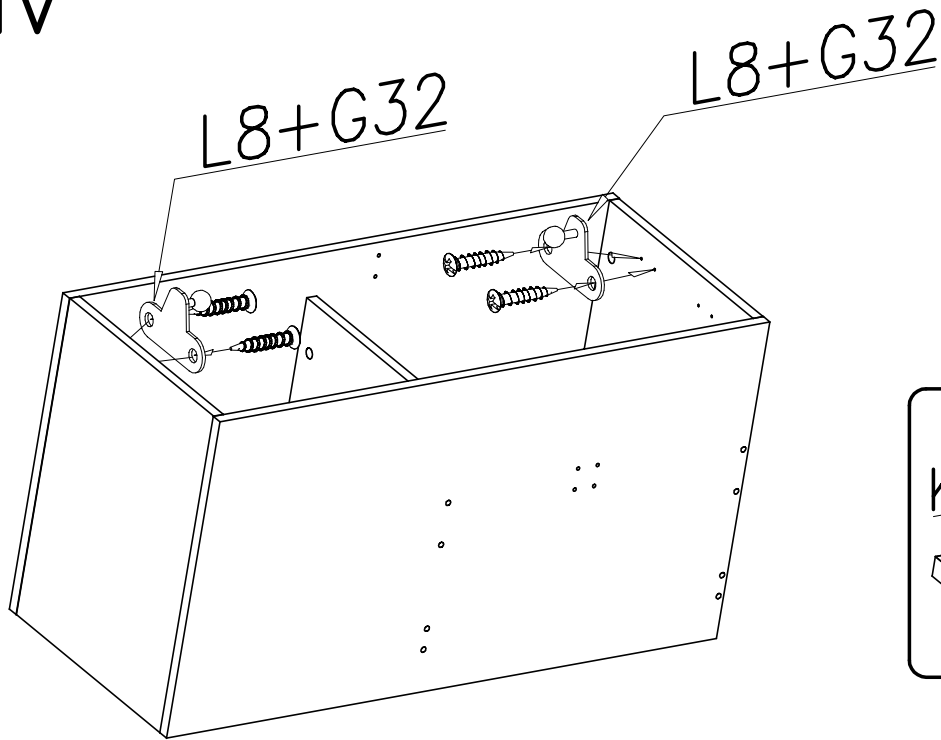


$a = b$

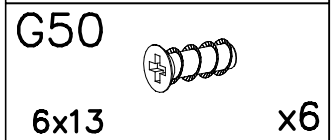
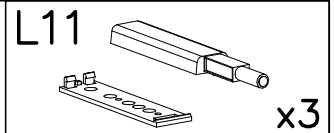
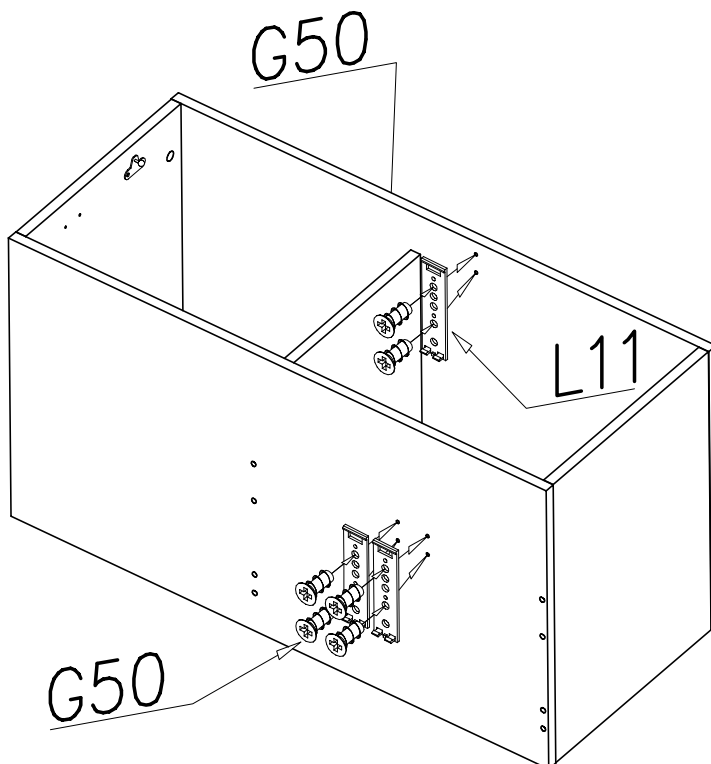




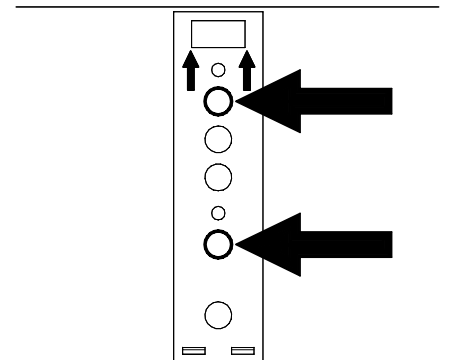
XIV

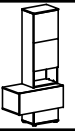


XV

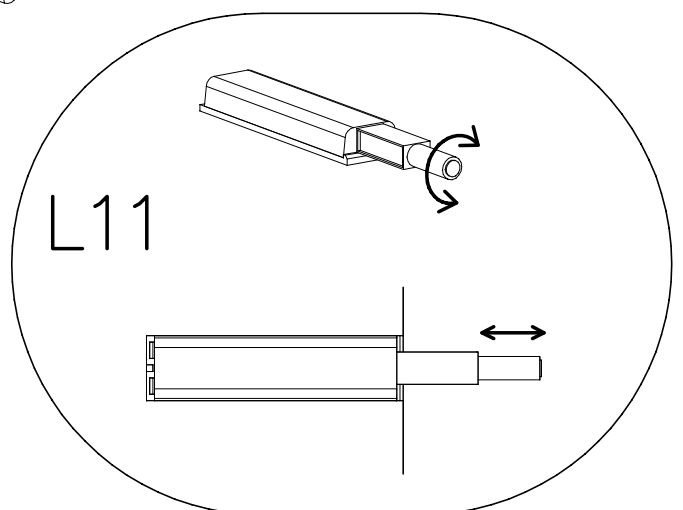
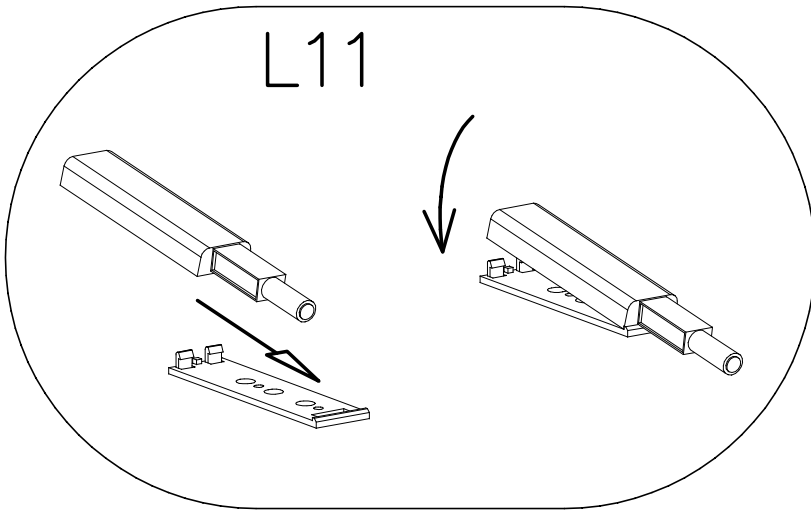
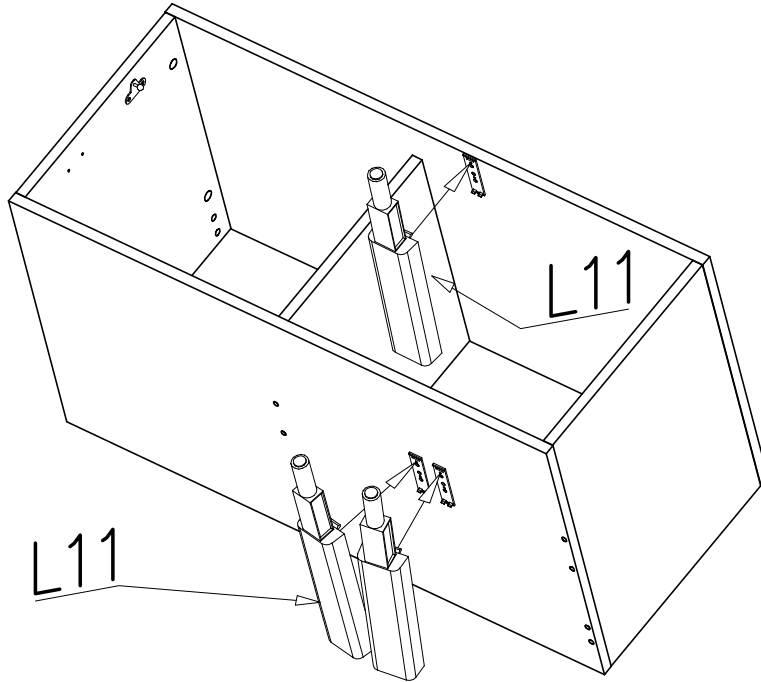
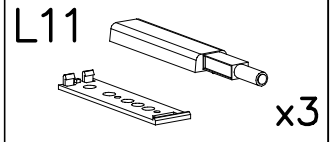


front

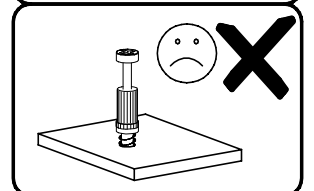
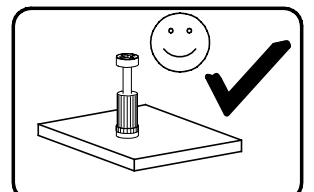
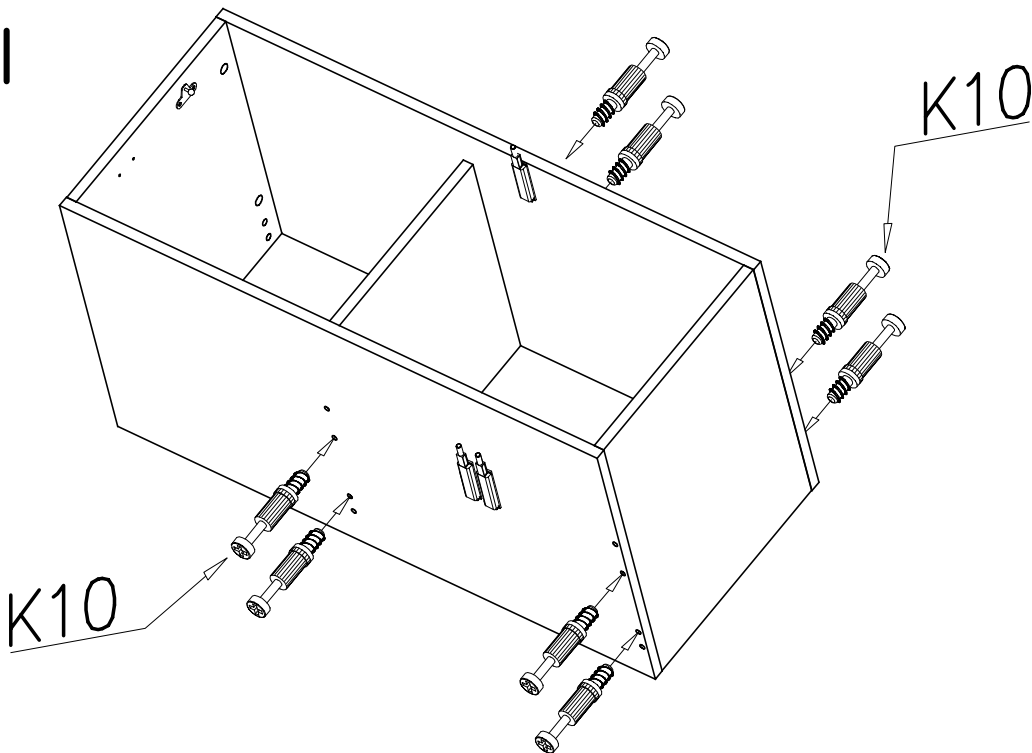
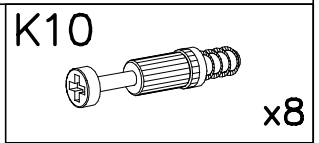


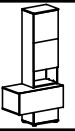


XVI



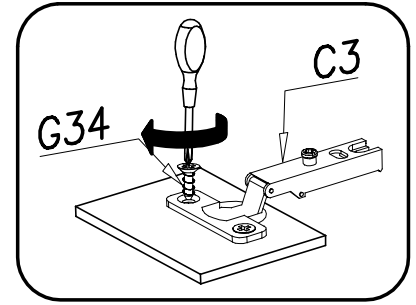
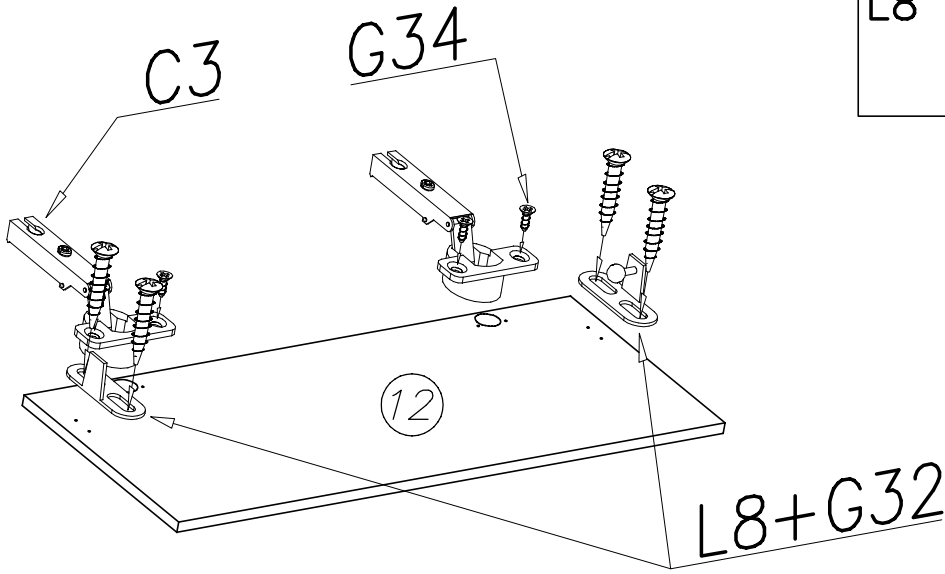
XVII



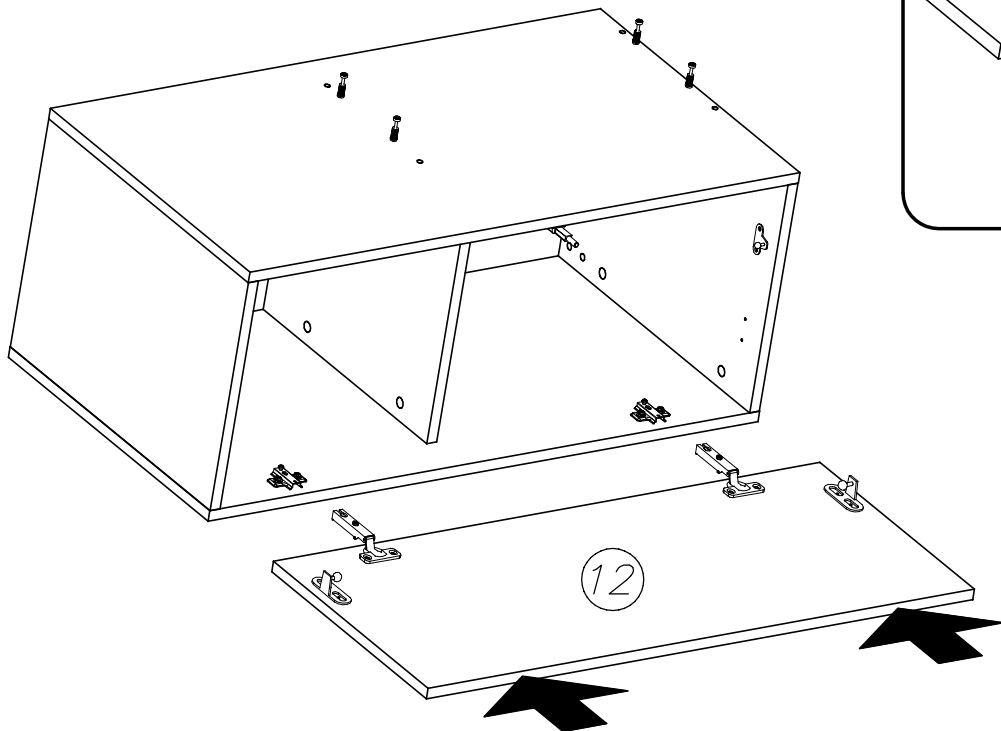
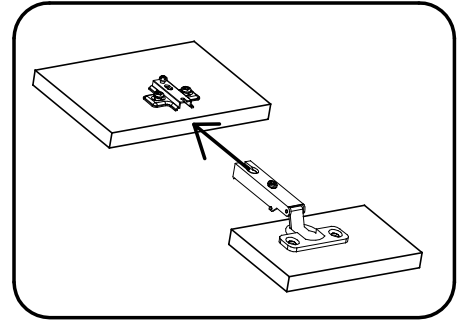


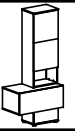
XVIII

G32 3,5x16		x4	C3 Z35PR		x2
L8		x2	G34 3,5x16		x4

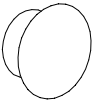


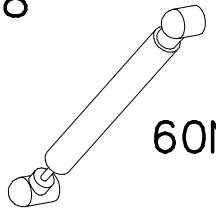
XIX

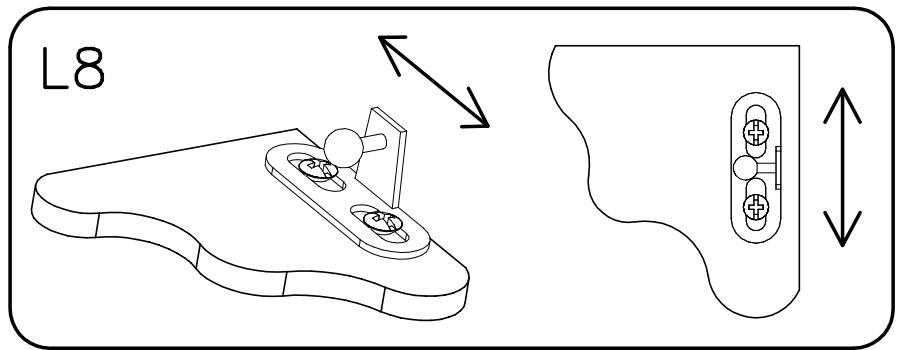
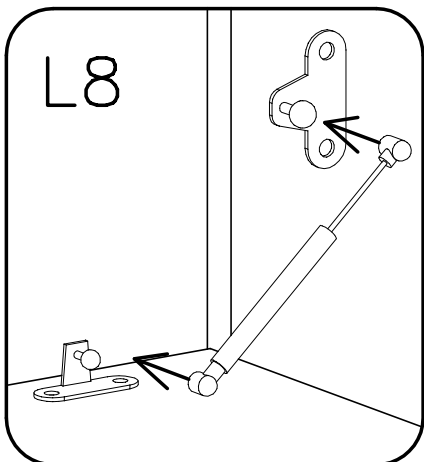
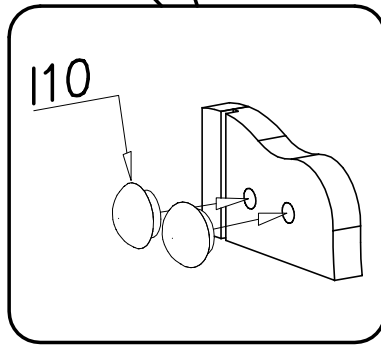
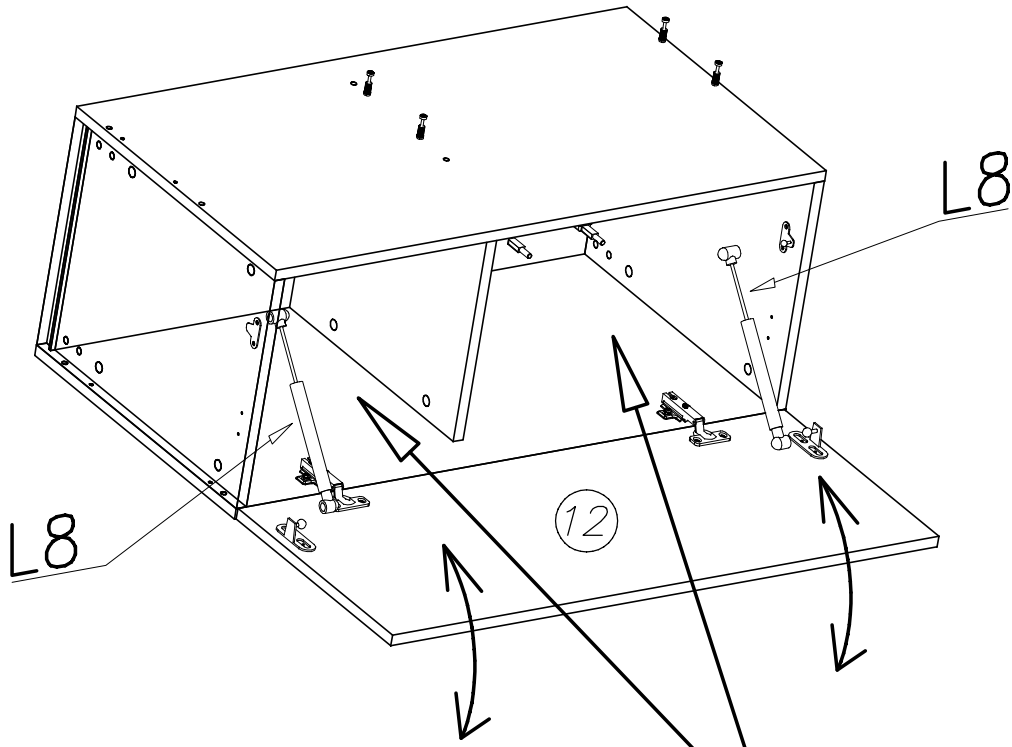


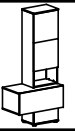


XX

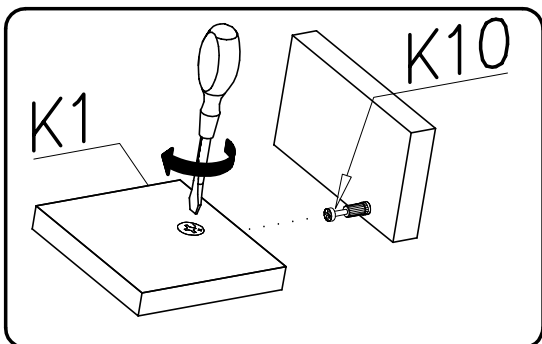
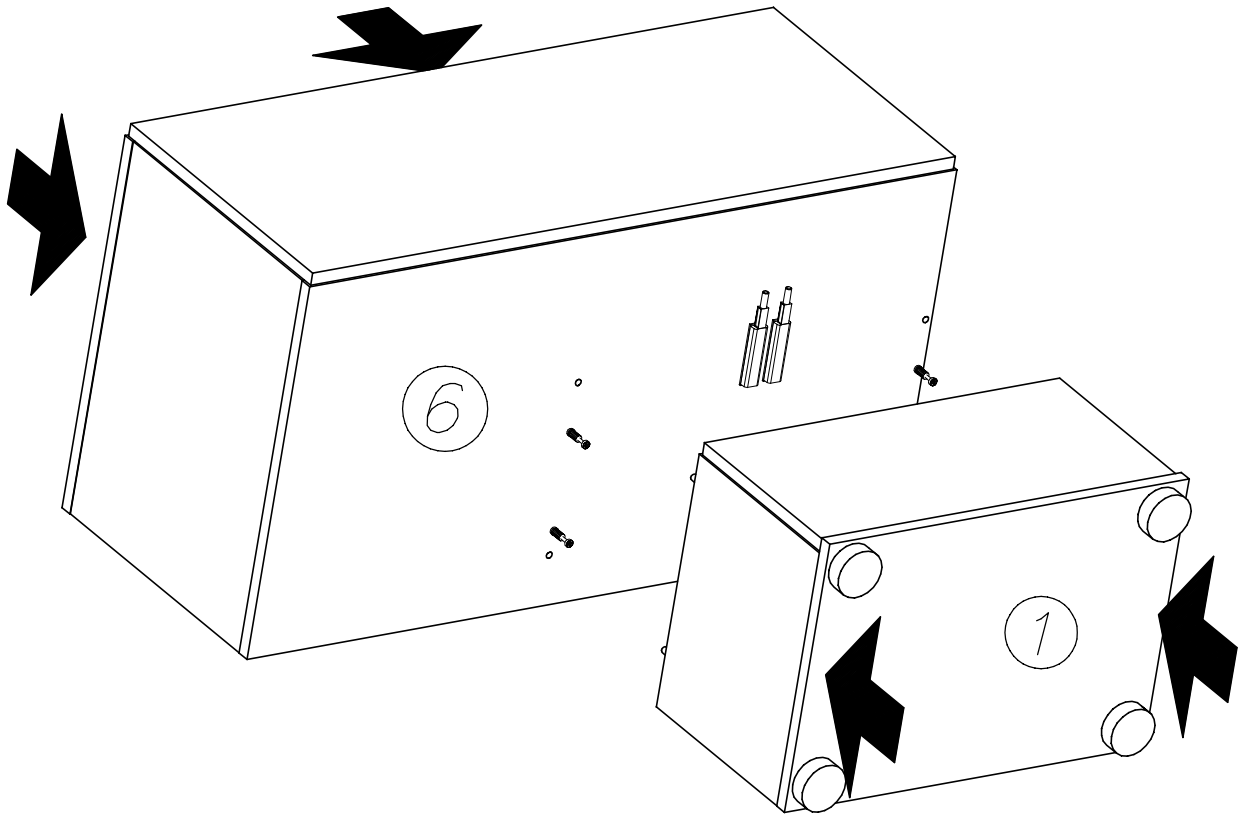
I10  x10  
Ø10

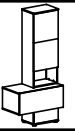
L8  60N x2




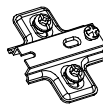


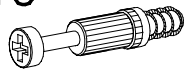
XXI




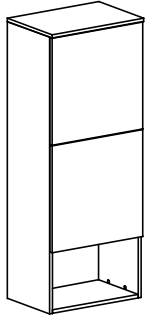


K1  x20  
ø15x12

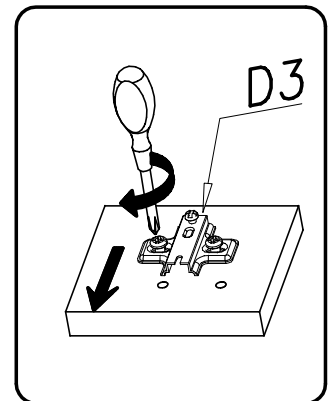
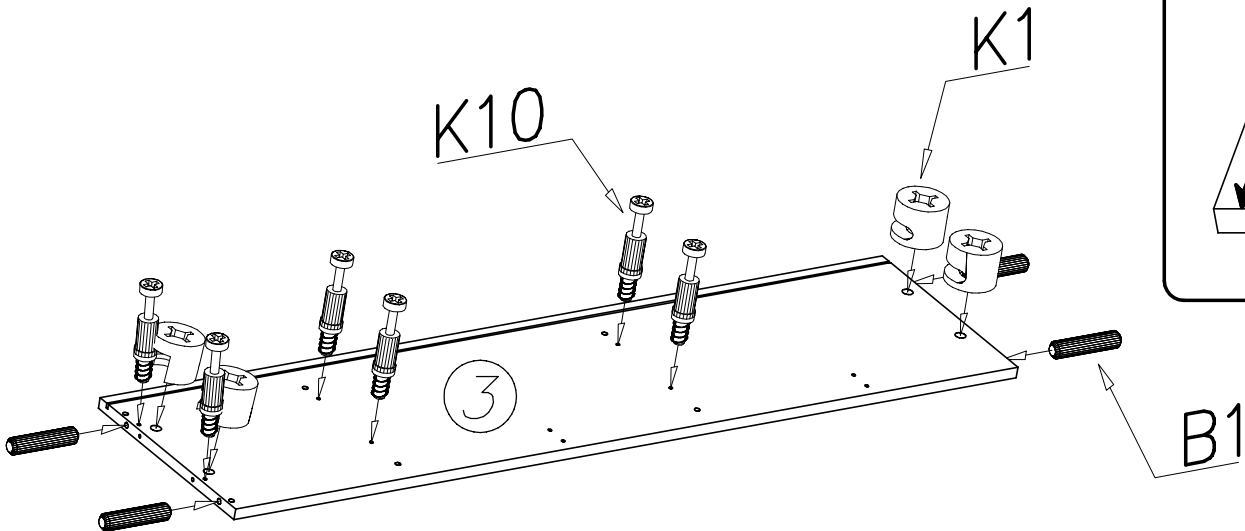
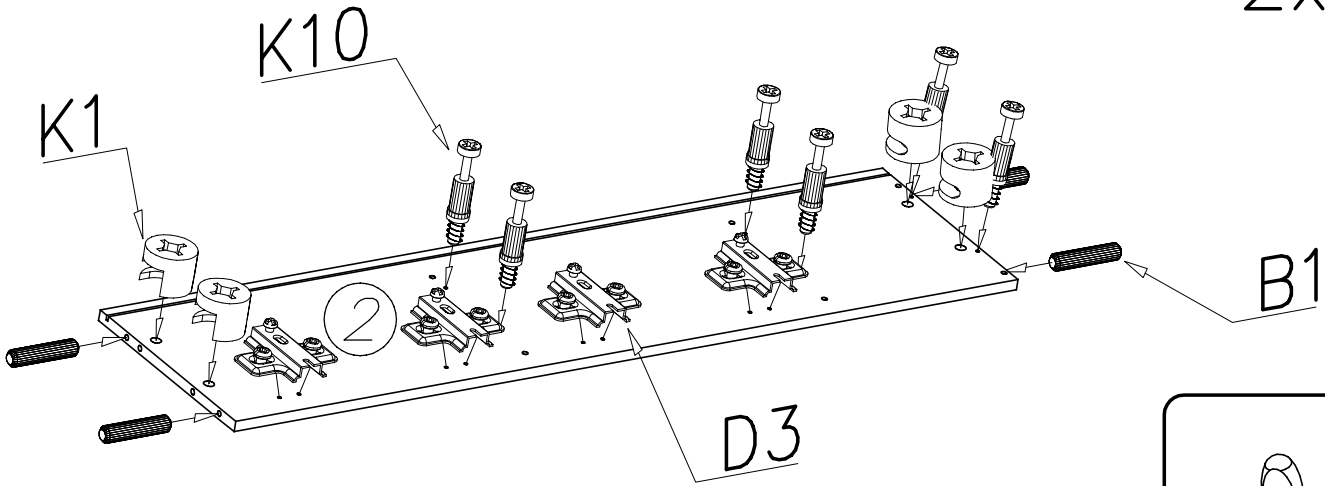
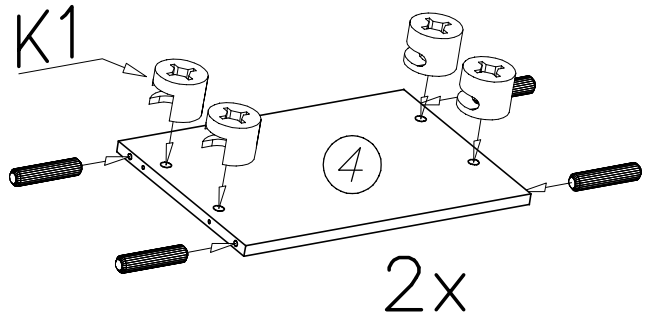
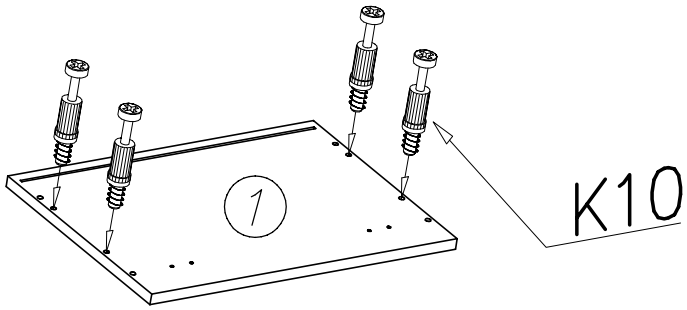
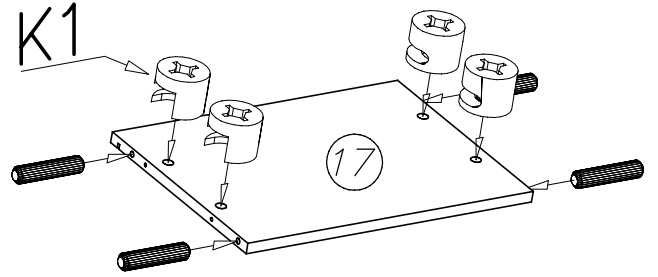
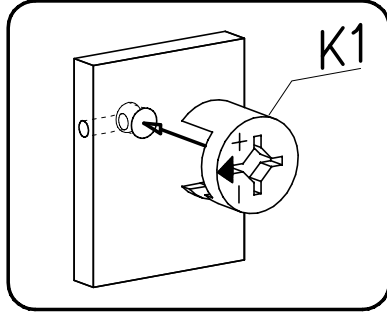
D3 

K10  x16

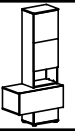
B1  x20  
ø8x35



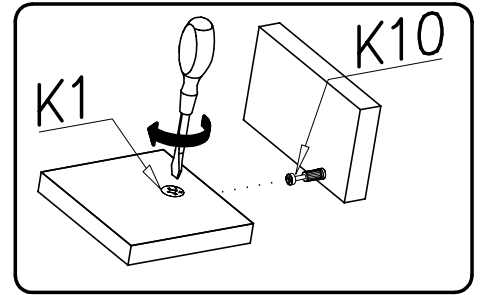
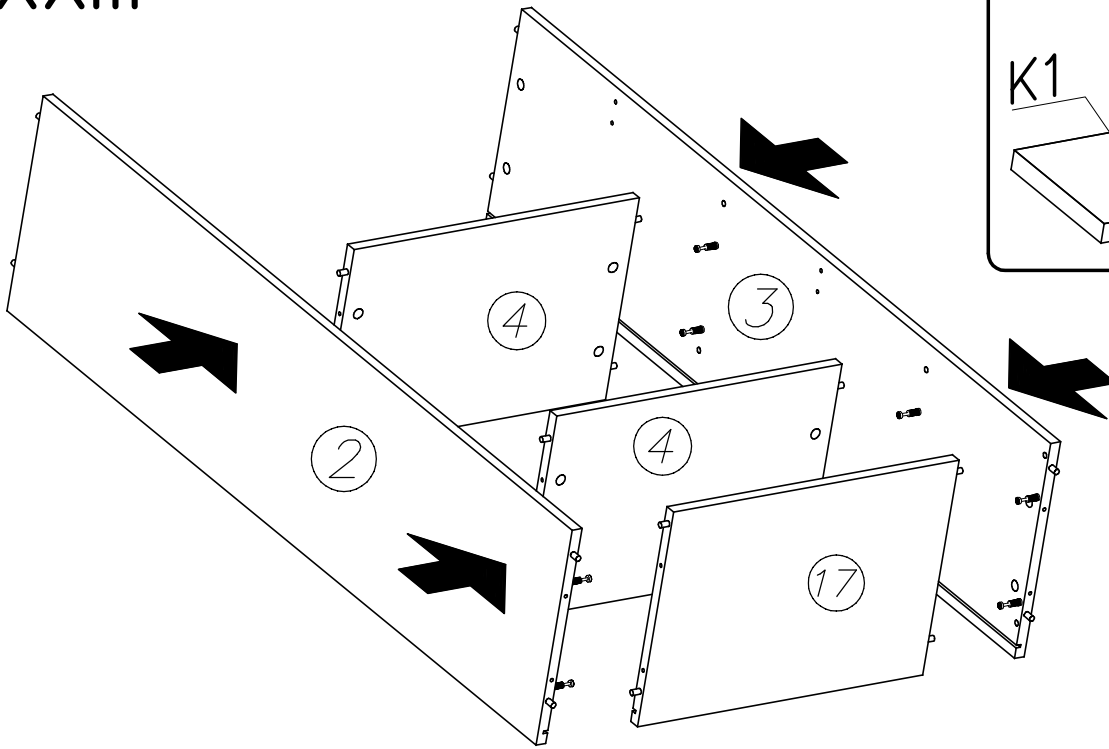
## XXII



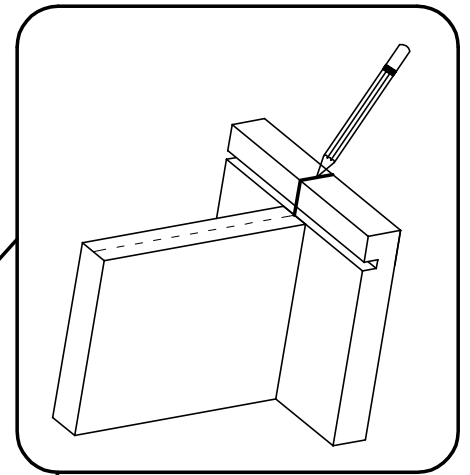
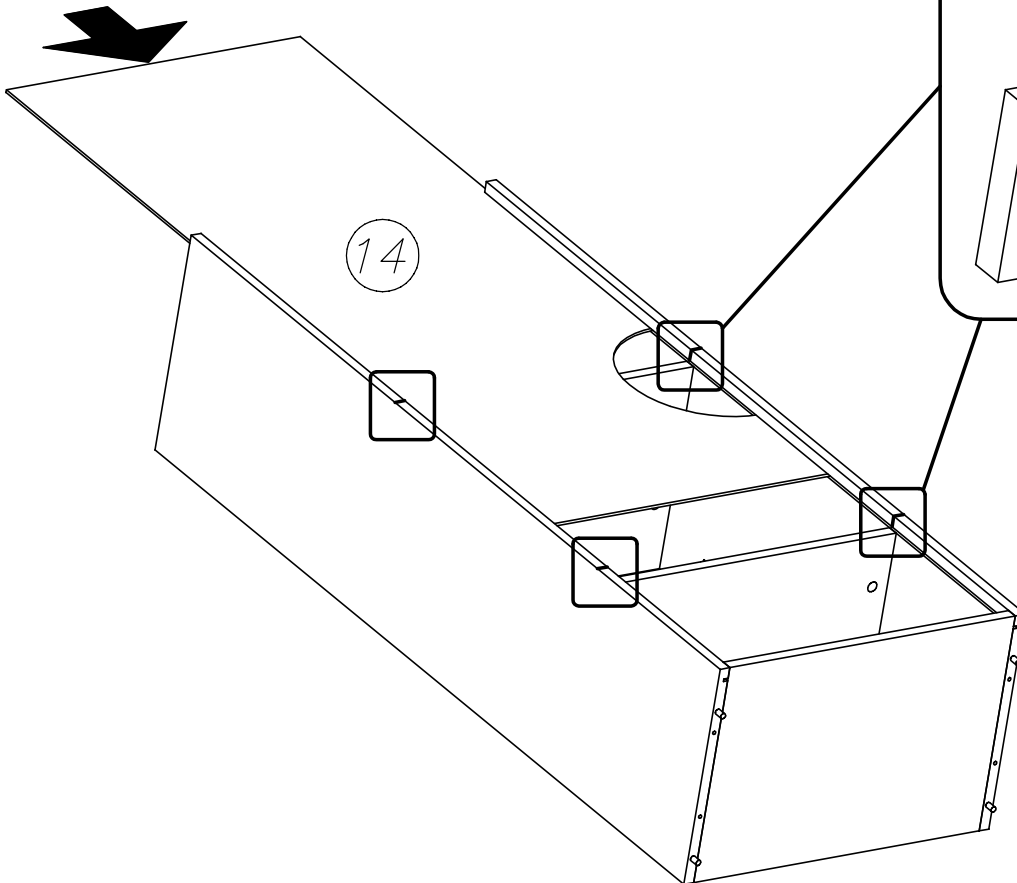


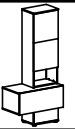


XXIII

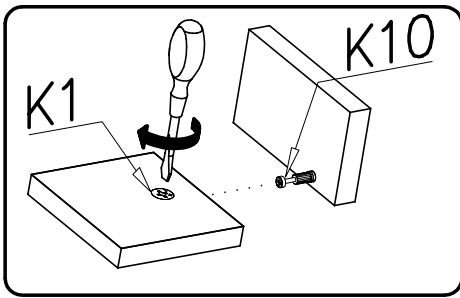
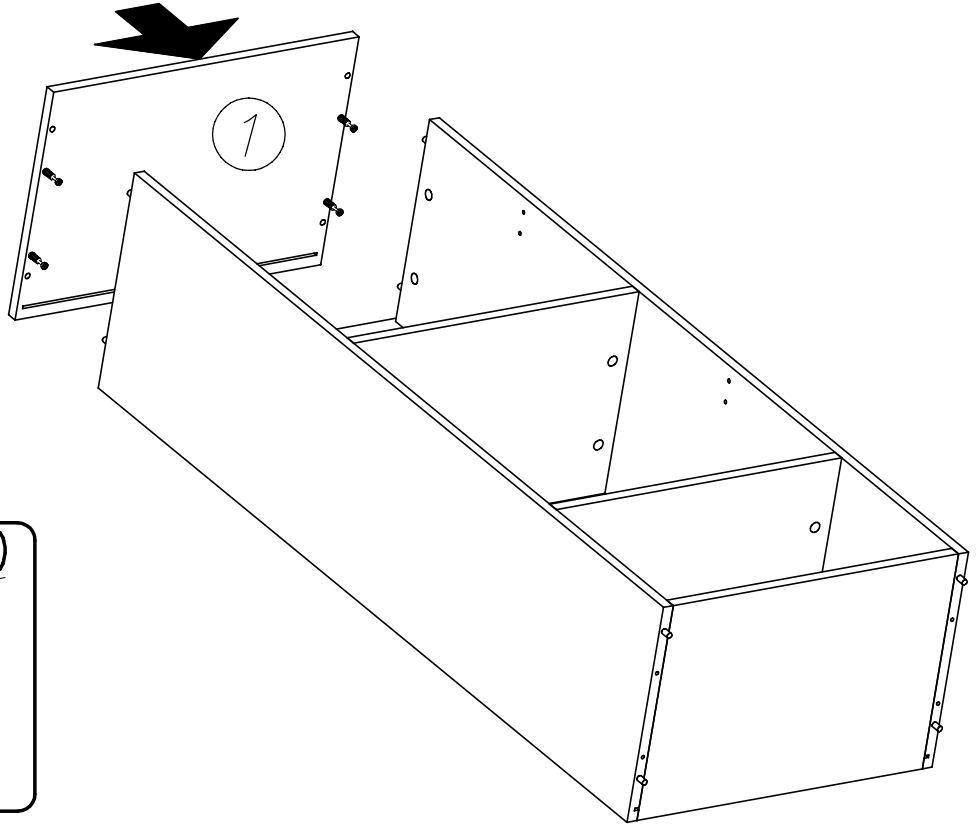


XXIV

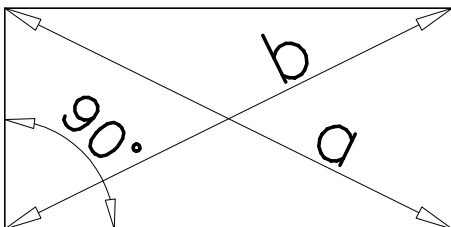
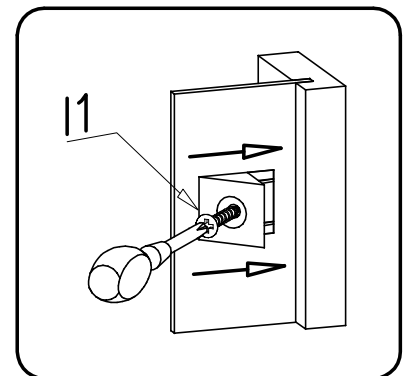
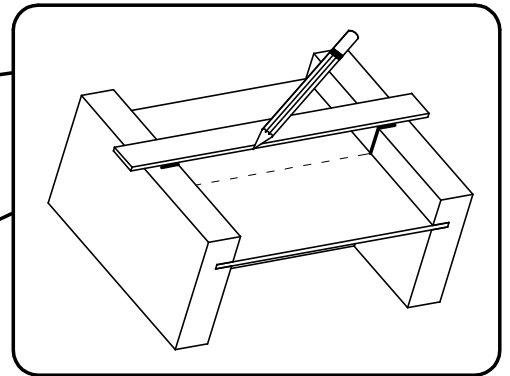
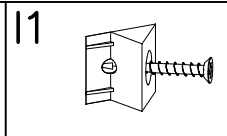
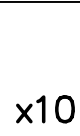
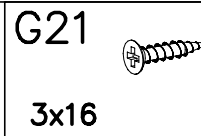
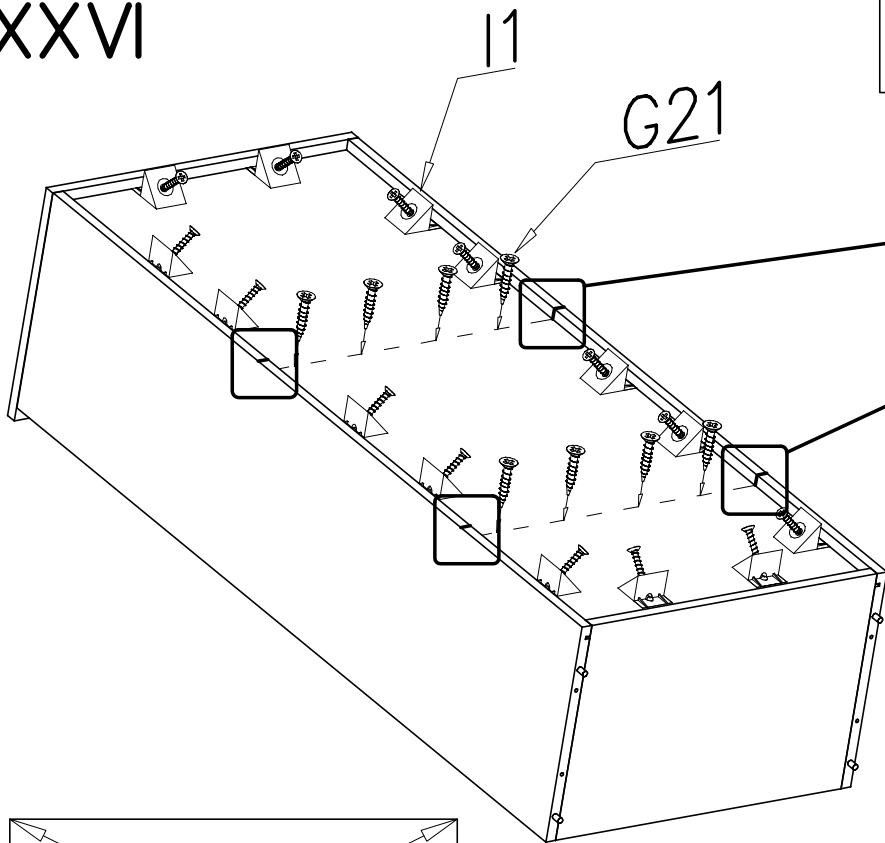




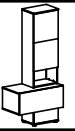
XXV



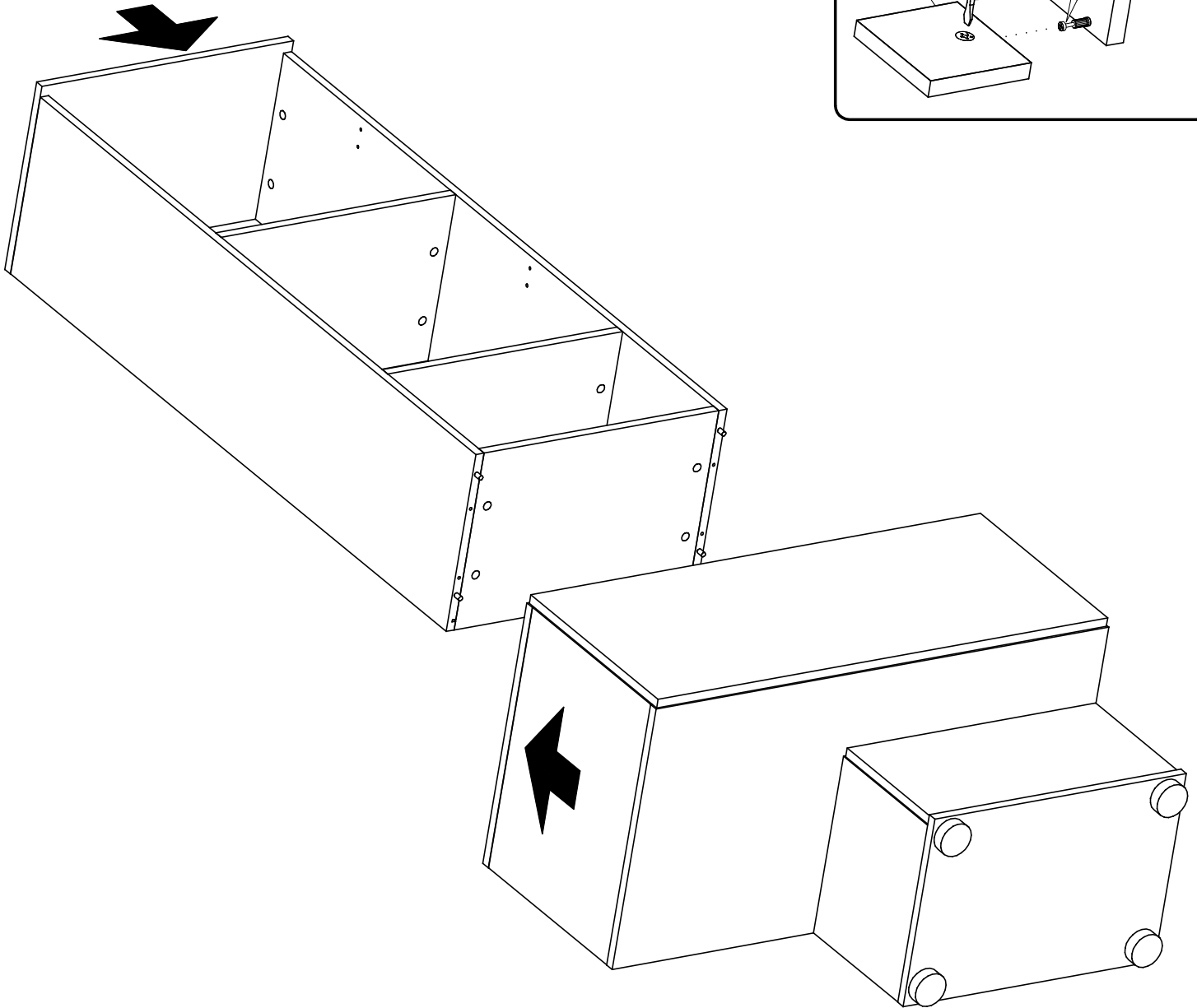
XXVI

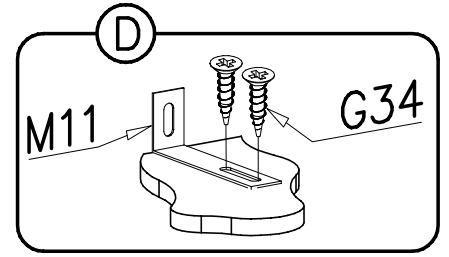
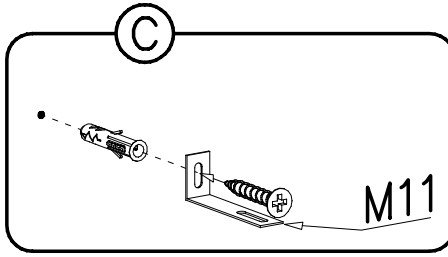
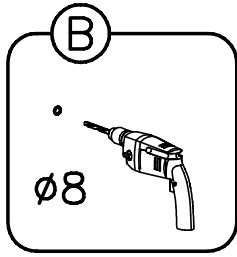
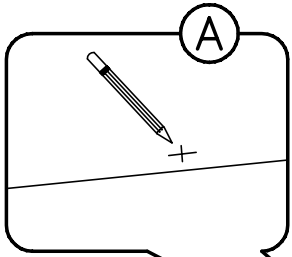
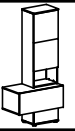


$a = b$



XXVII

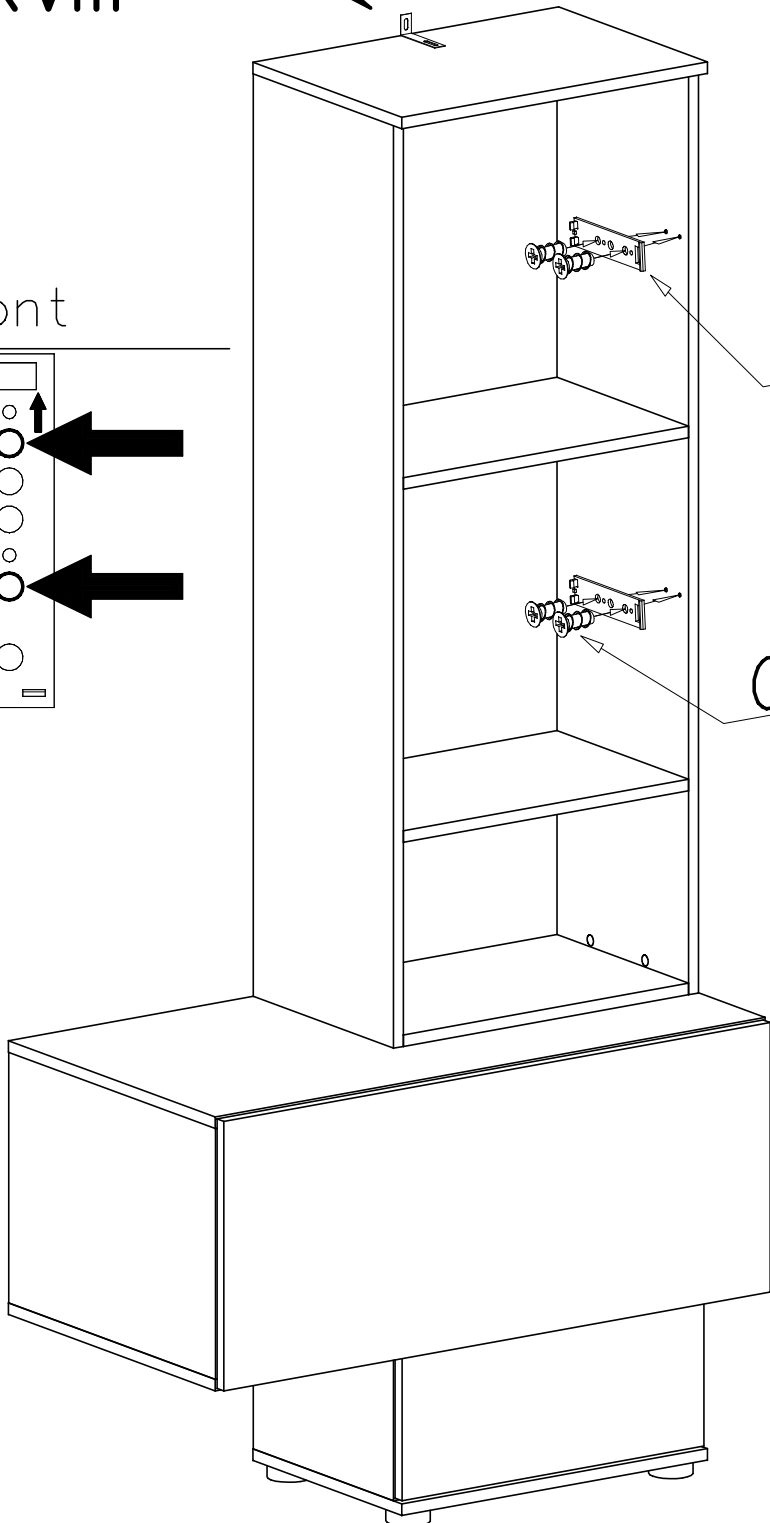
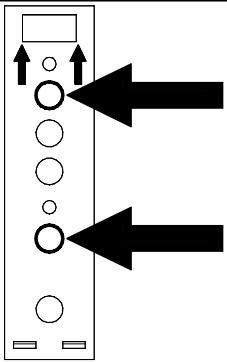




XXVIII

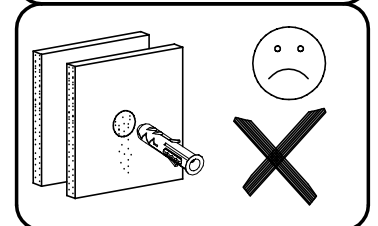
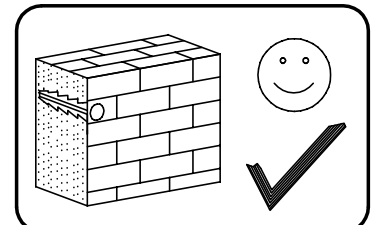
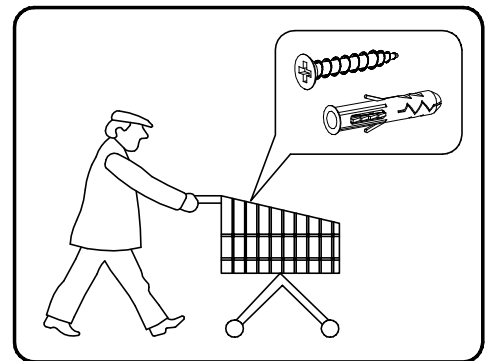
G34 3,5x16 x2		L11 x2	
M11 x1		G50 6x13 x4	

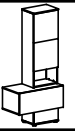
front



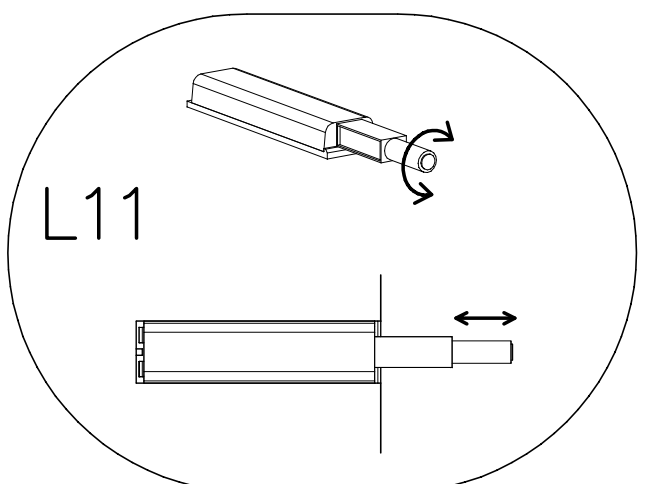
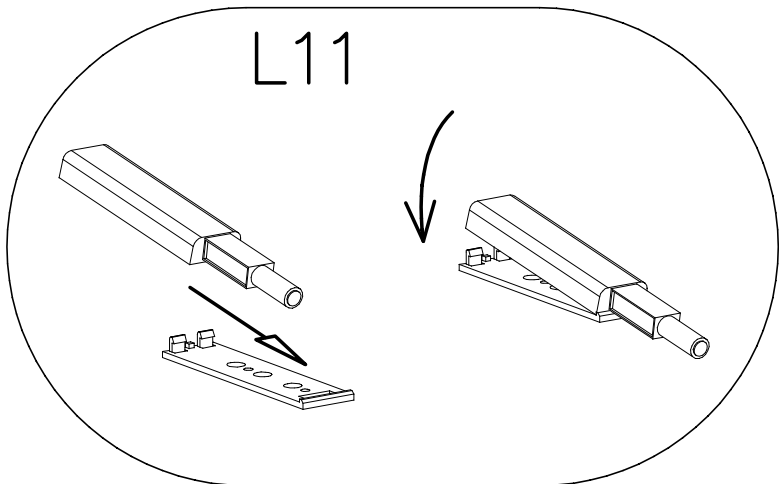
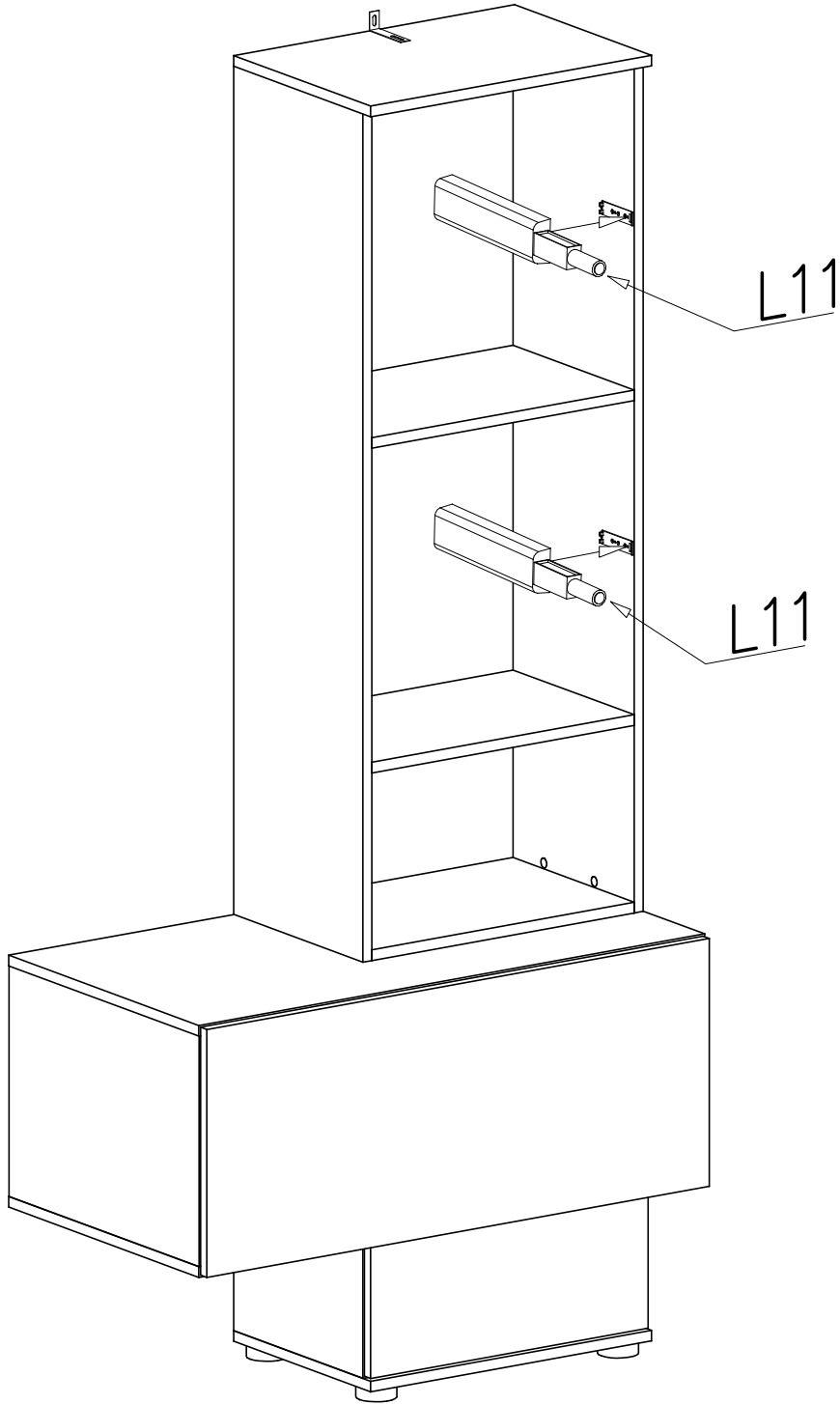
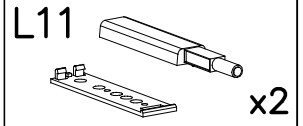
L11

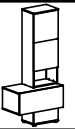
G50





XXIX





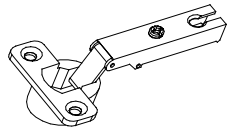
XXX

G34  
3,5x16



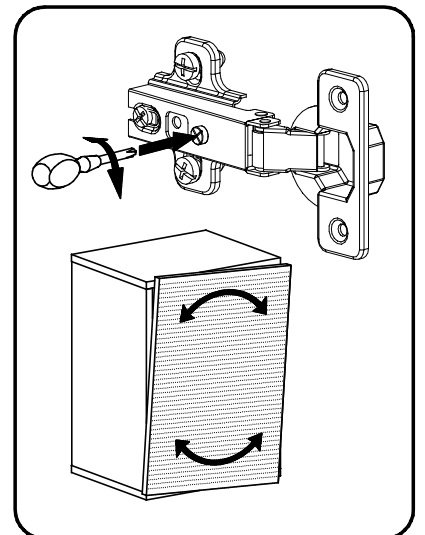
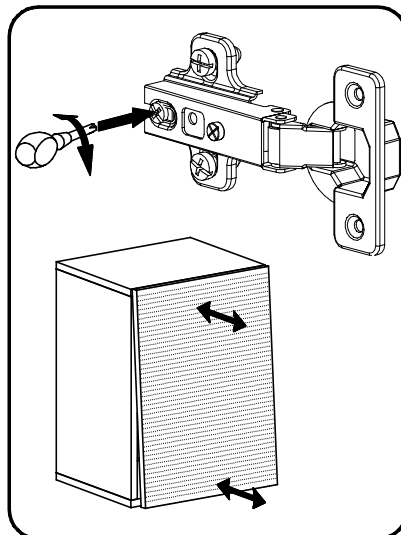
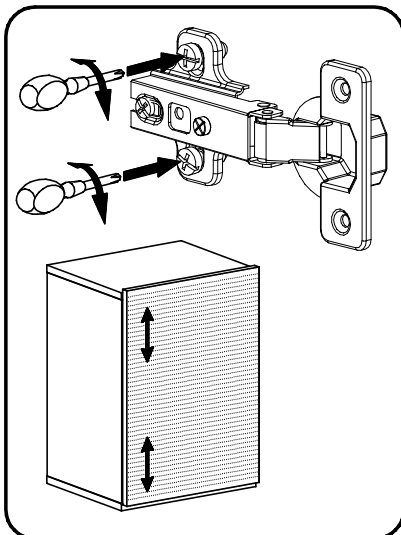
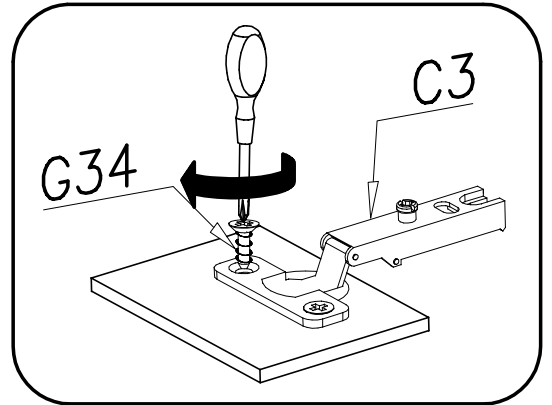
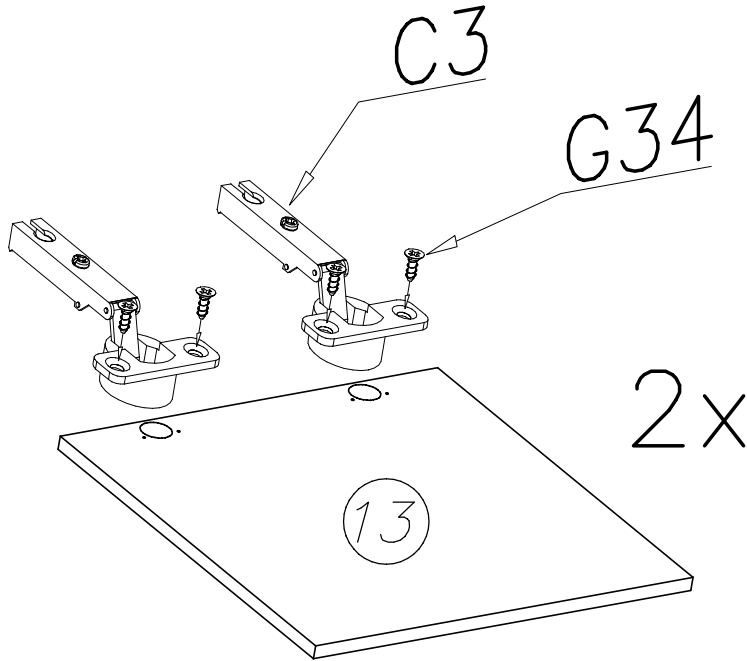
x8

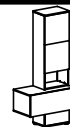
C3



Z35PR

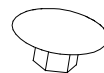
x4





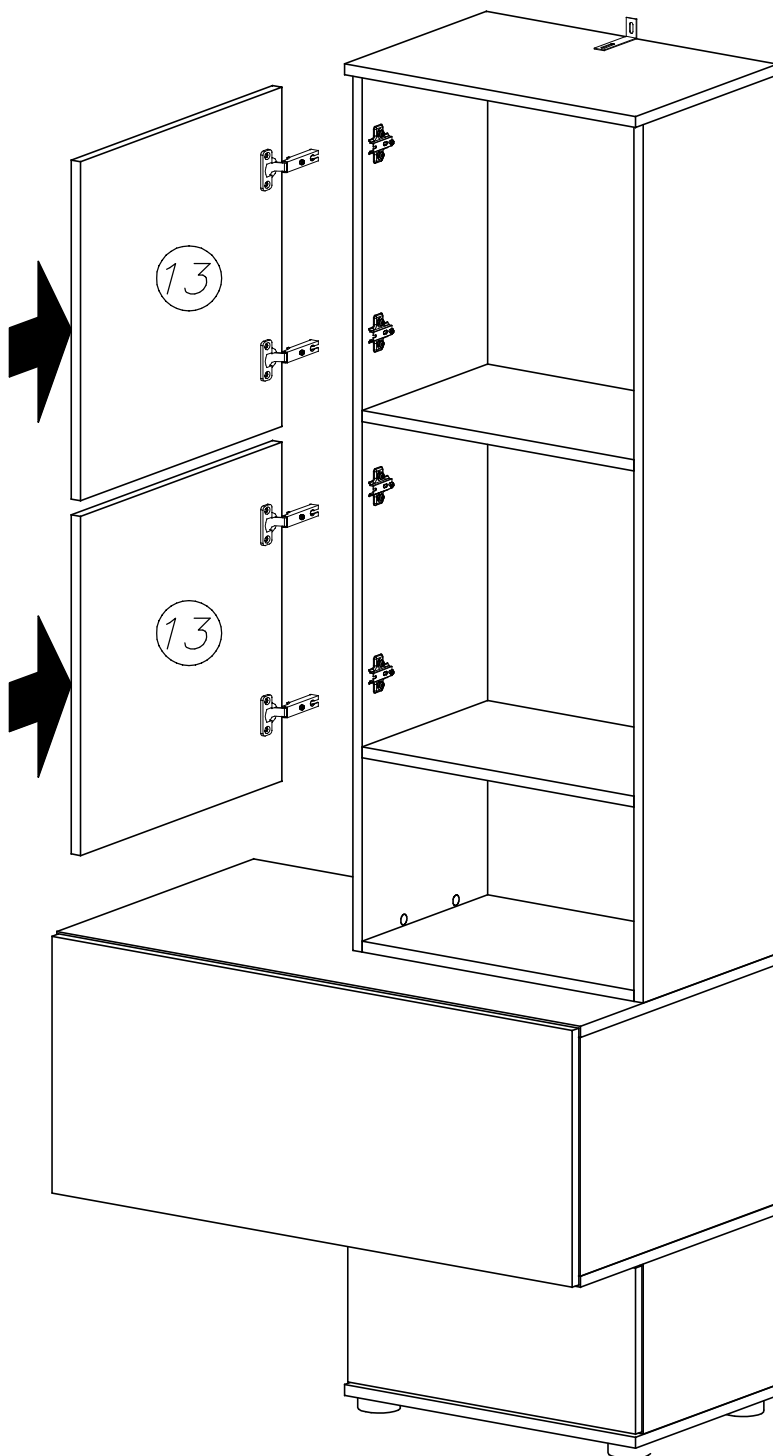
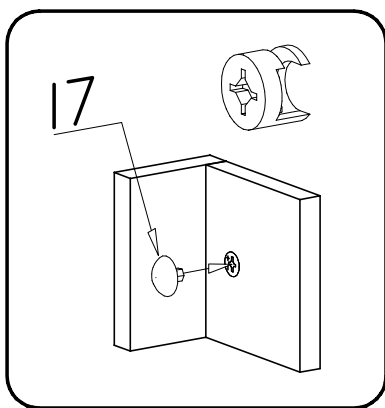
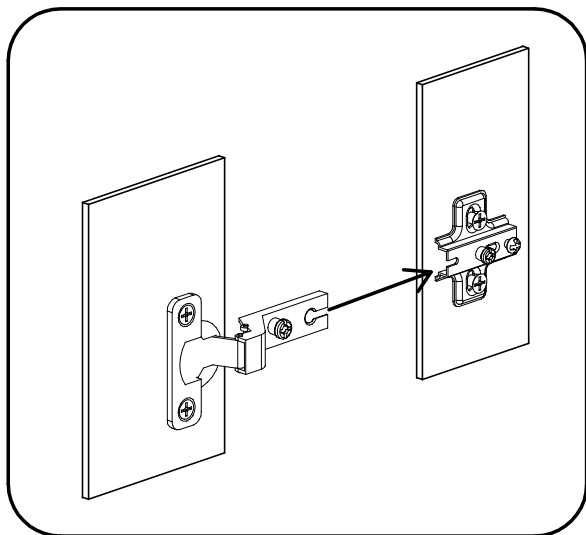
XXXI

17



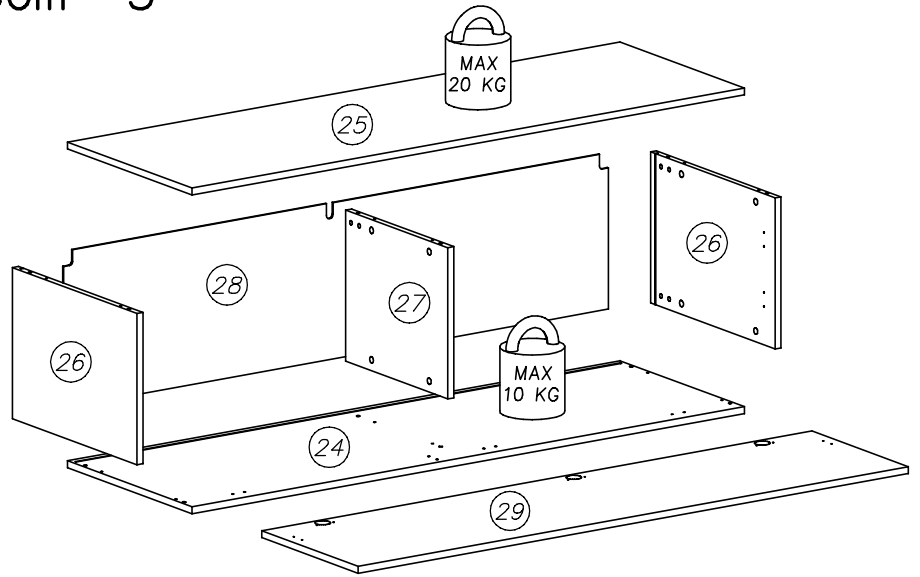
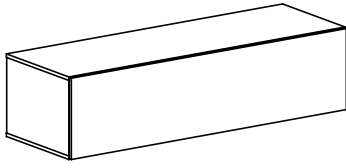
ø18

x42

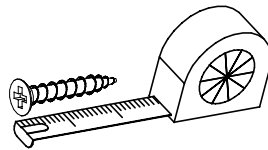
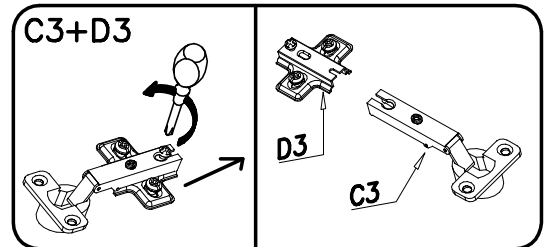
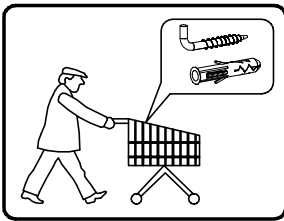


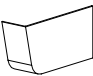
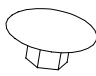


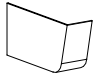
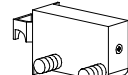
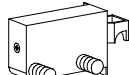


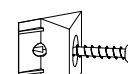
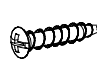
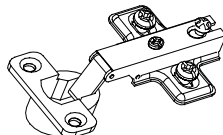
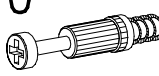
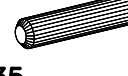
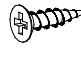




Colli 3

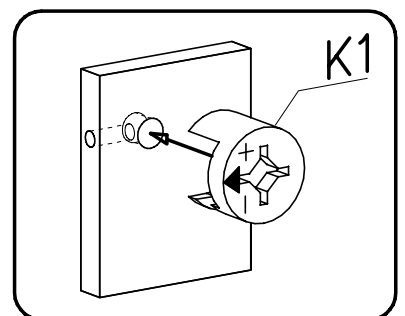
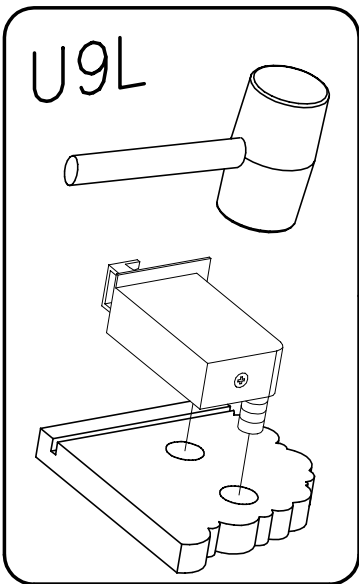
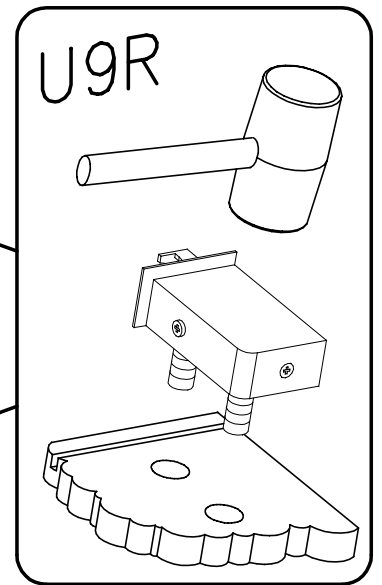
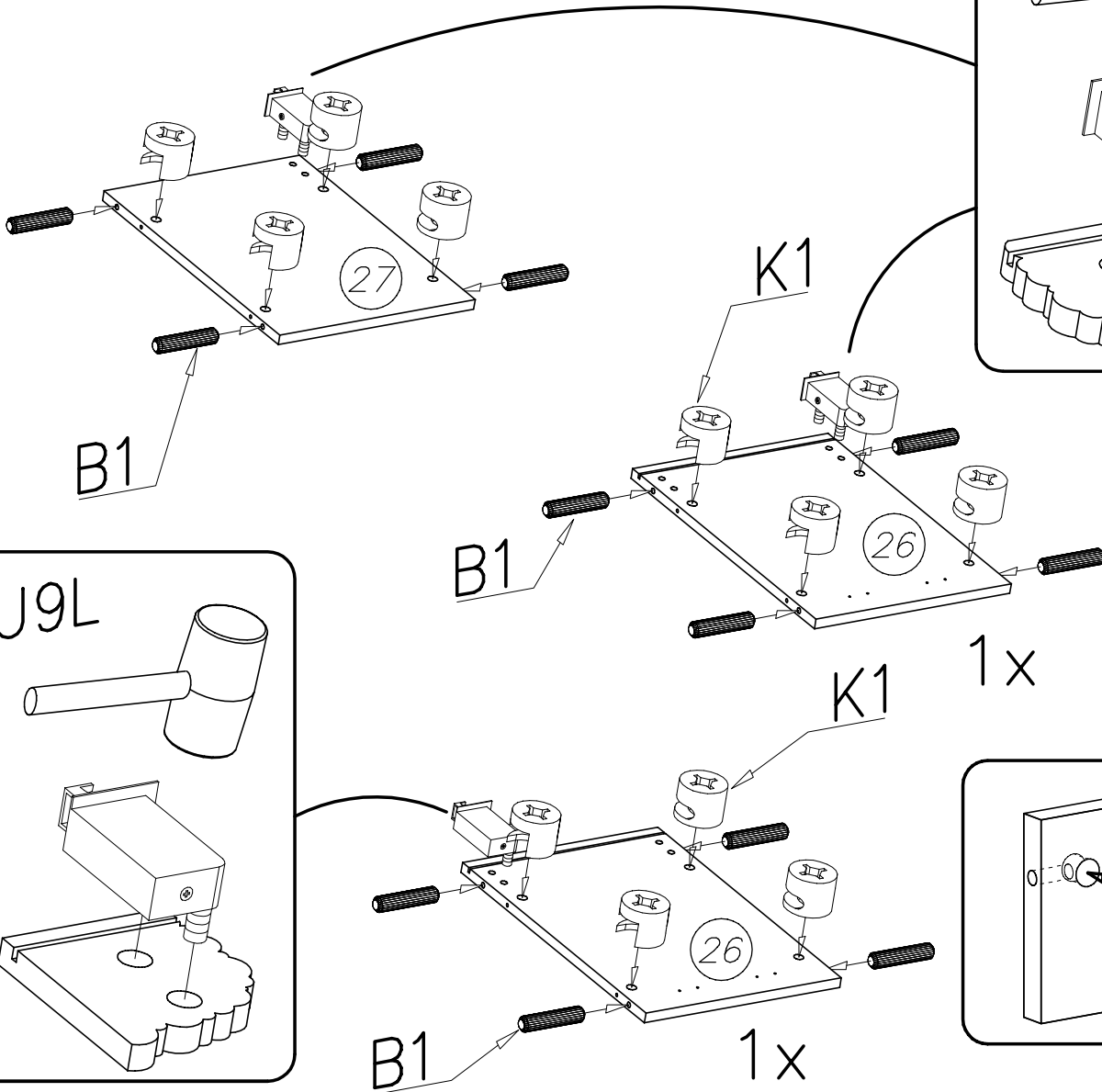
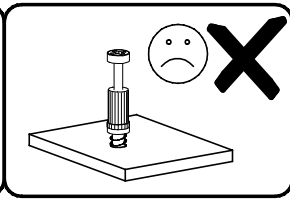
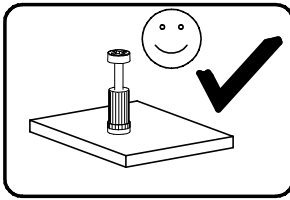
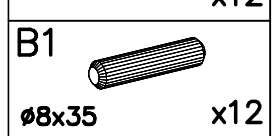
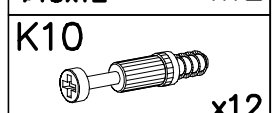
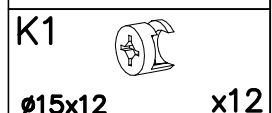
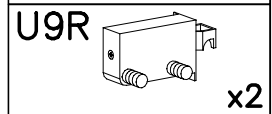
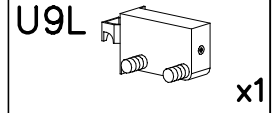
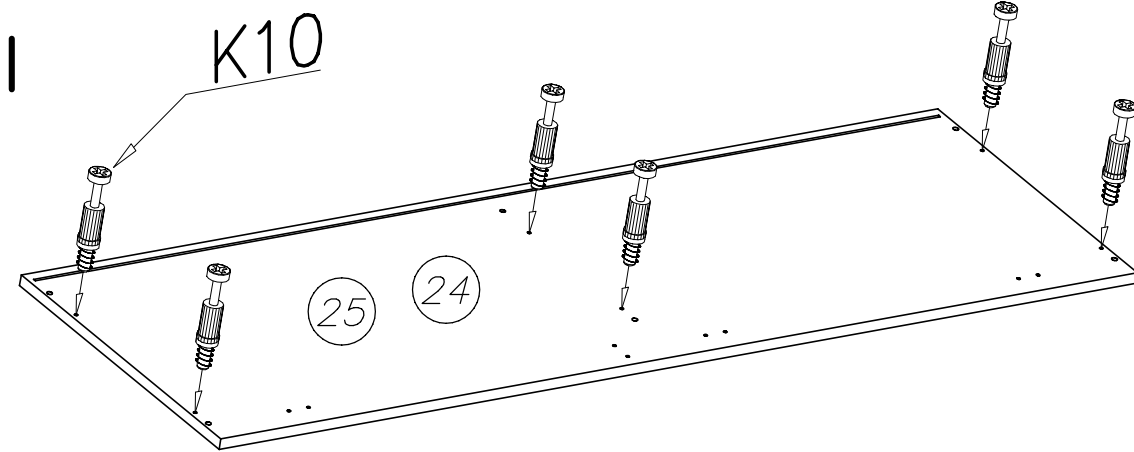
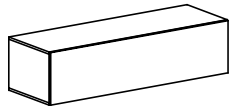


nr	L[mm]	B[mm]	T[mm]	Menge	Colli
24	1500	483	16	1	3/4
25	1500	483	16	1	3/4
26	348	483	16	2	3/4
27	348	396	16	1	3/4
28	1479	360	3	1	3/4
29	1494	374	16	1	3/4



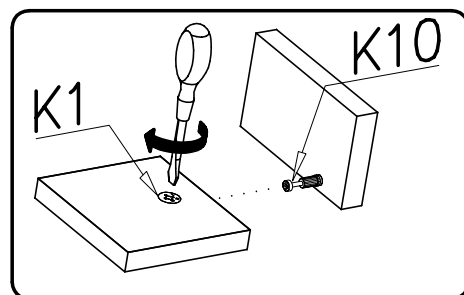
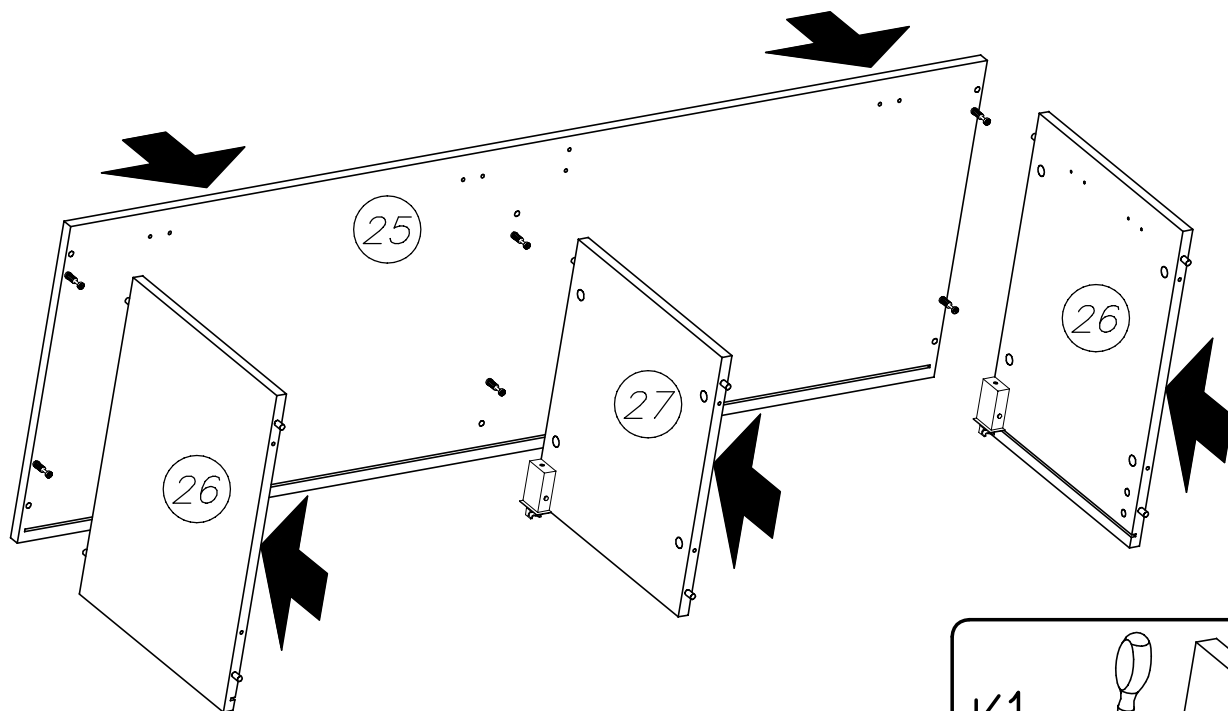
U10L  x1	I7  ø18 x12	I4  ø5 x2	I10  ø10 x4
U10R  x2	U9L  x1	U9R  x2	L8  60N x2
K1  ø15x12 x12	I1  x10	G32  3,5x16 x8	C3+D3  Z35PR x3
K10  x12	B1  ø8x35 x12	G34  3,5x16 x10	L11  x1
			G50  6x13 x2



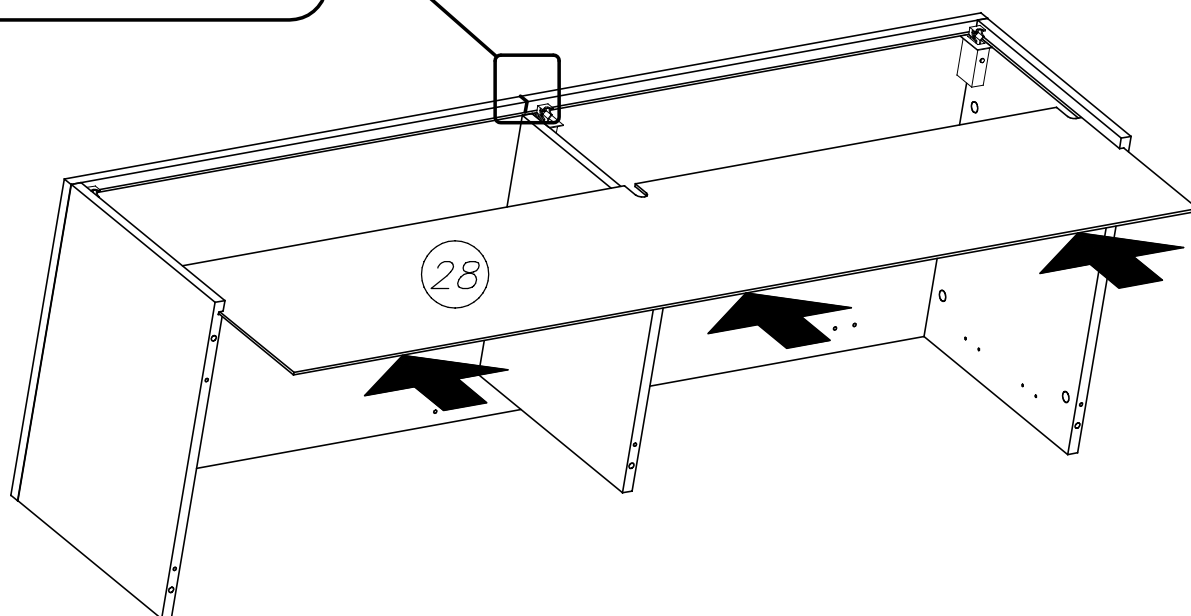
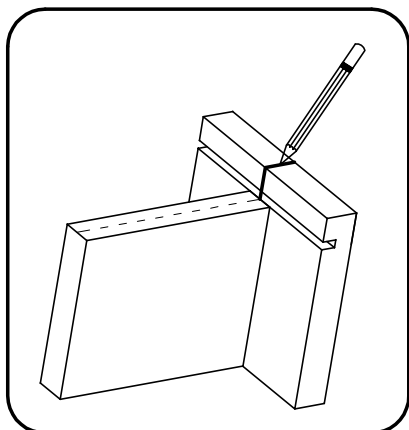


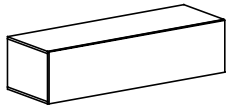


II

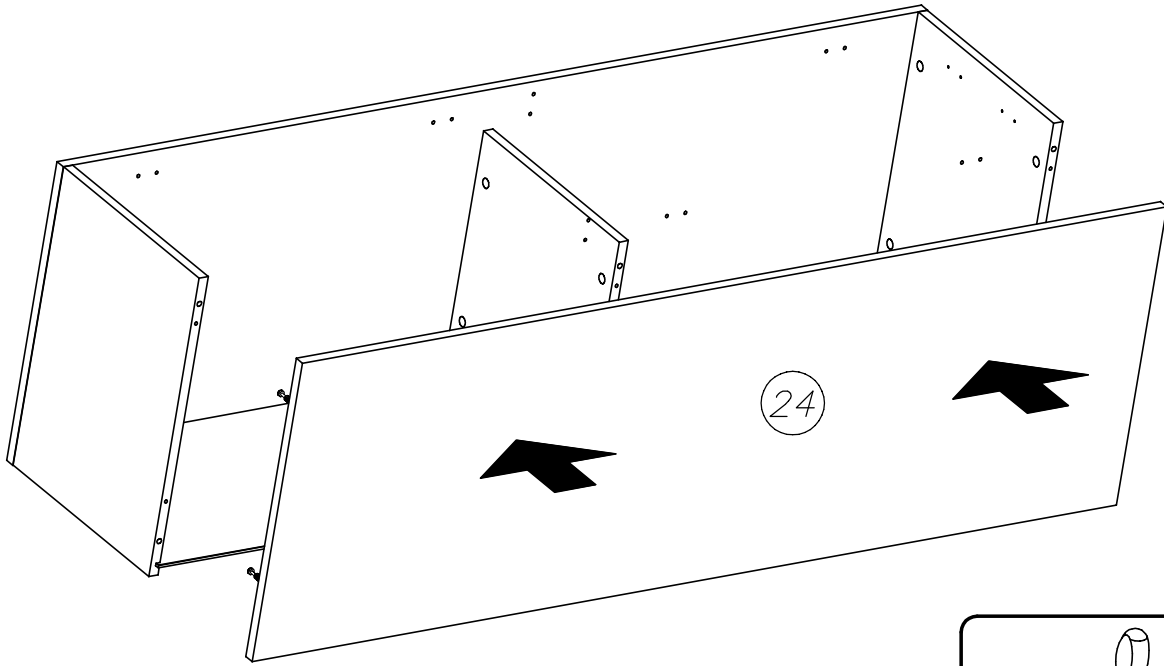


III

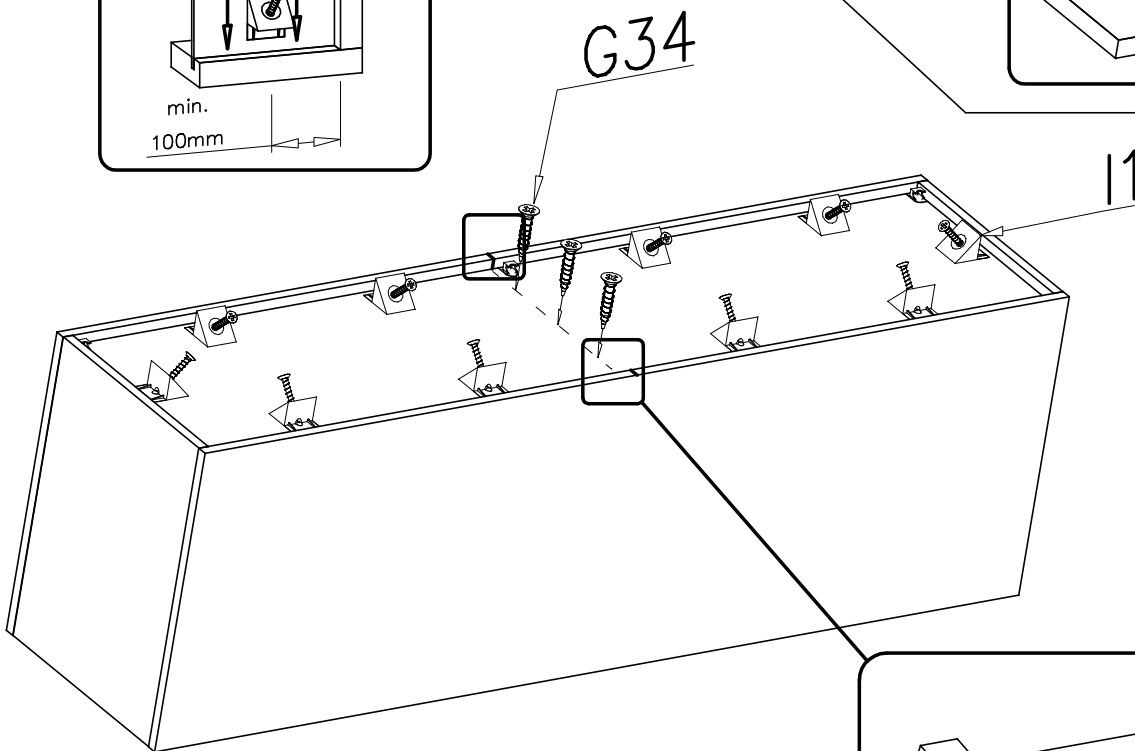
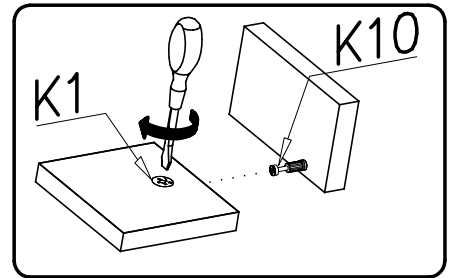
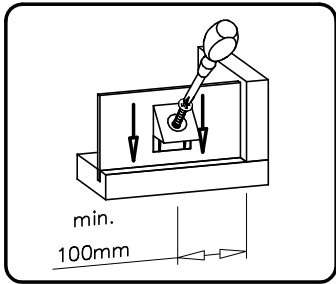




IV

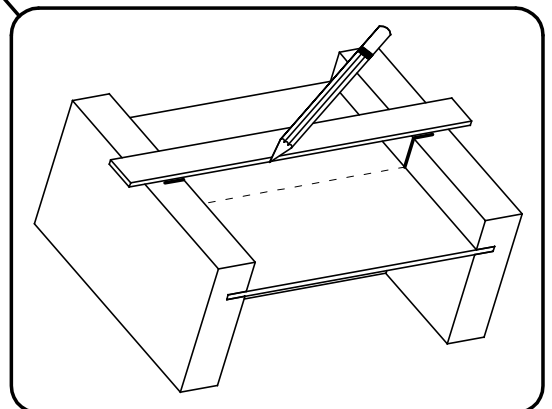
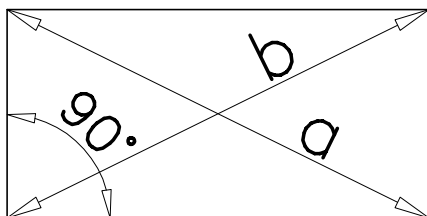


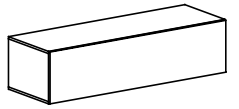
V



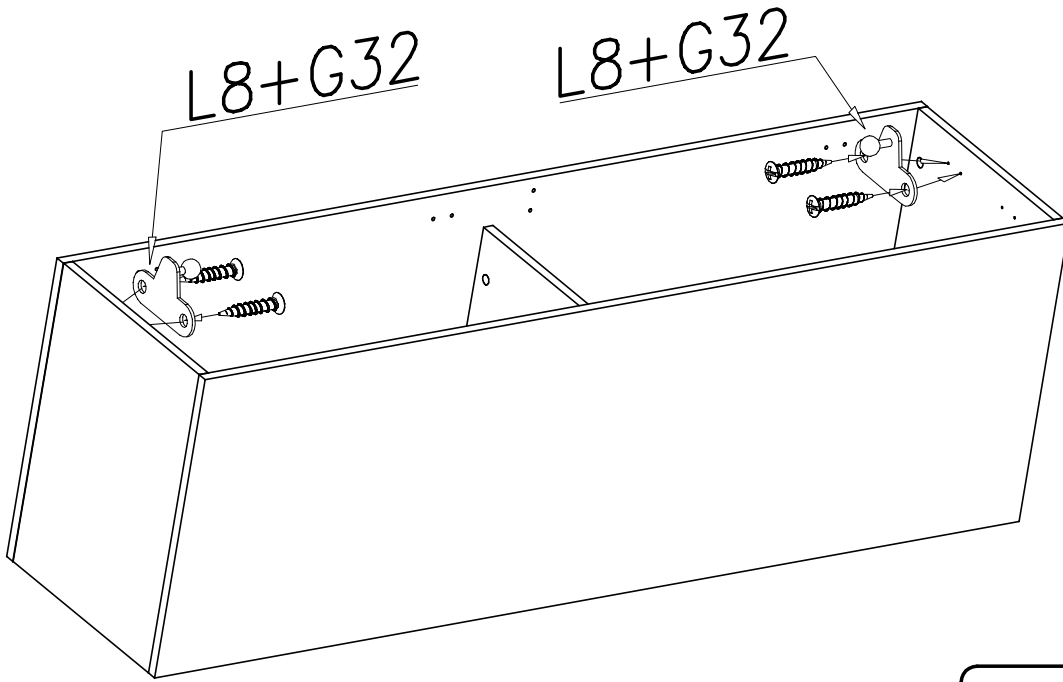
- |     |        |     |
|-----|--------|-----|
| l1  |        | x10 |
| G34 |        | x4  |
|     | 3,5x16 |     |

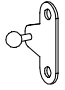
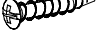
$a = b$

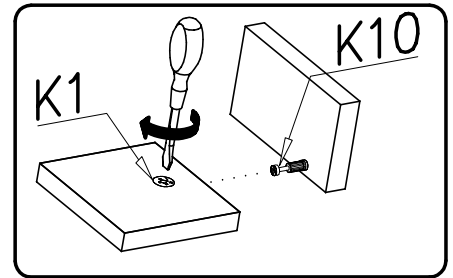




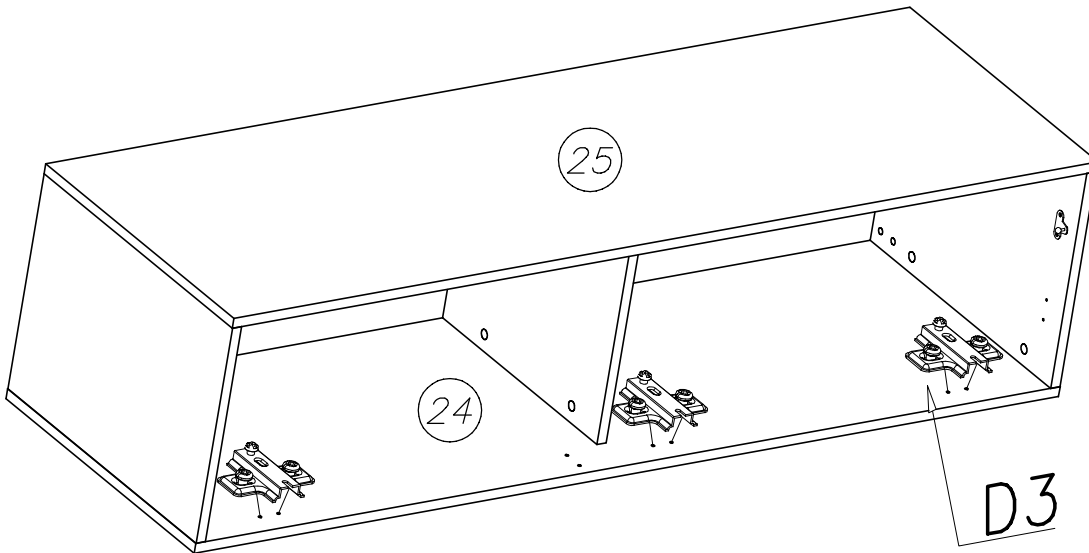
VI

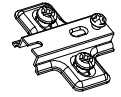


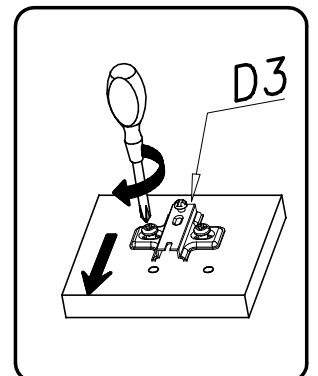
- L8  x2
- G32  3,5x16 x4

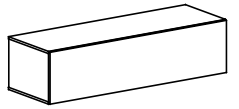


VII

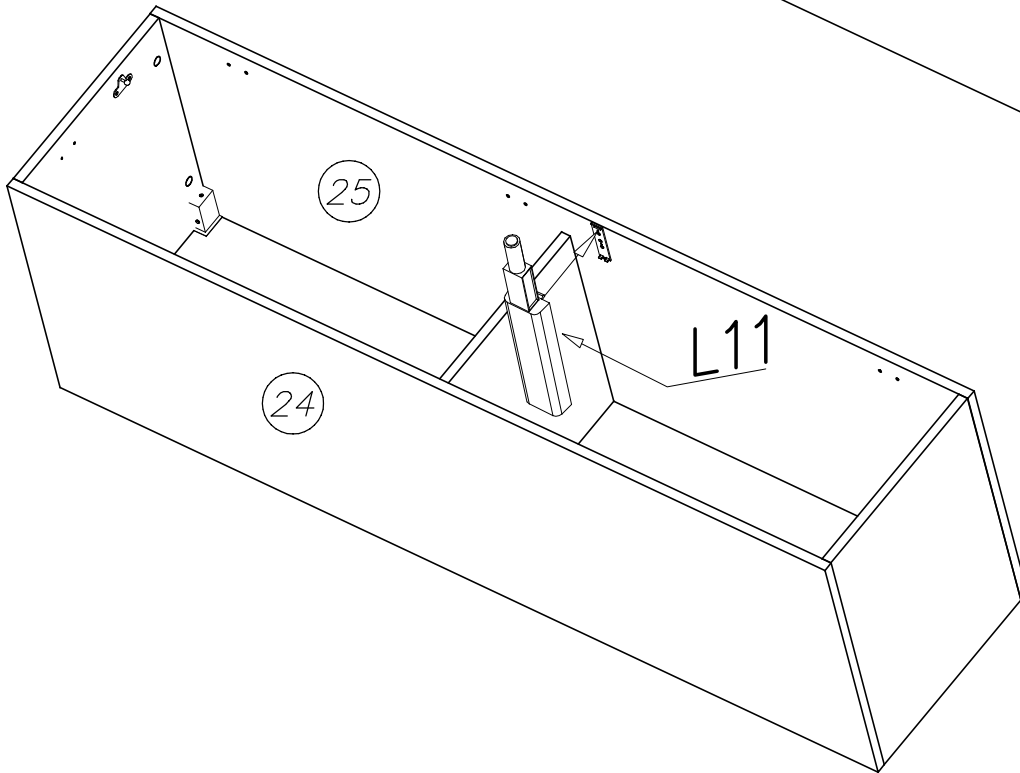
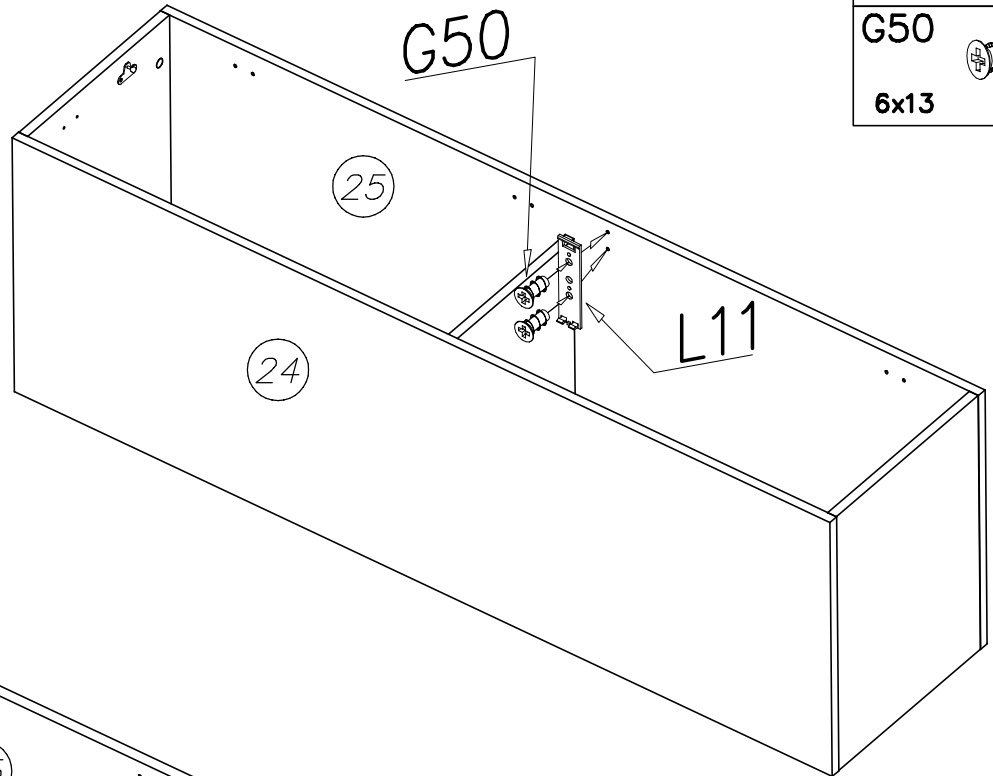
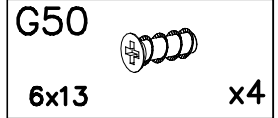
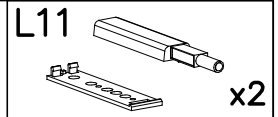


- D3  x3

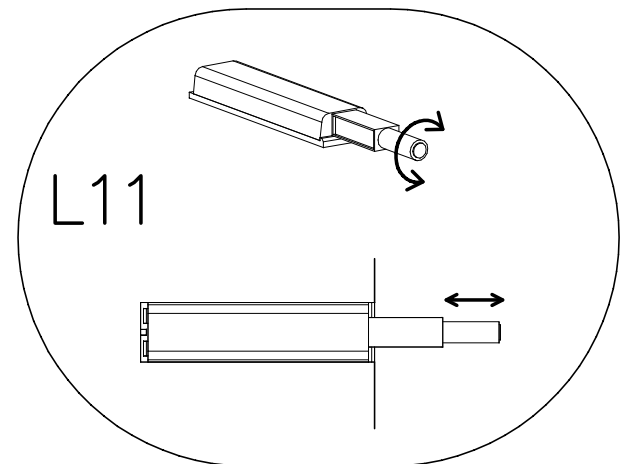
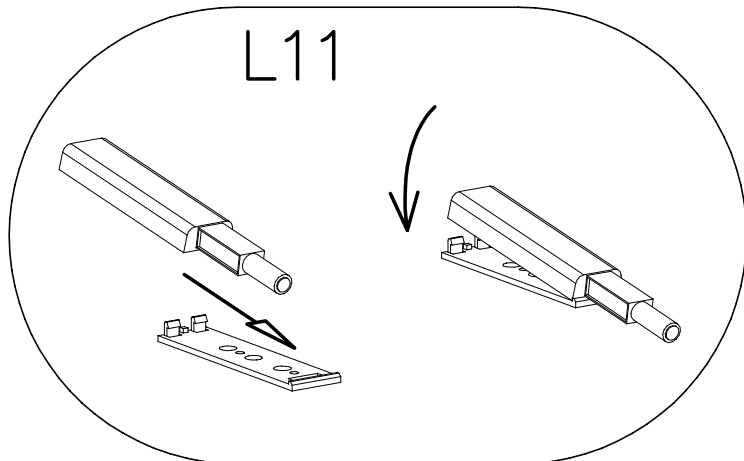
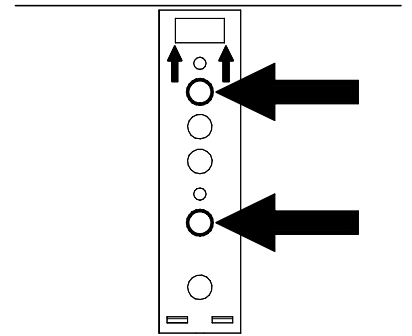




VIII

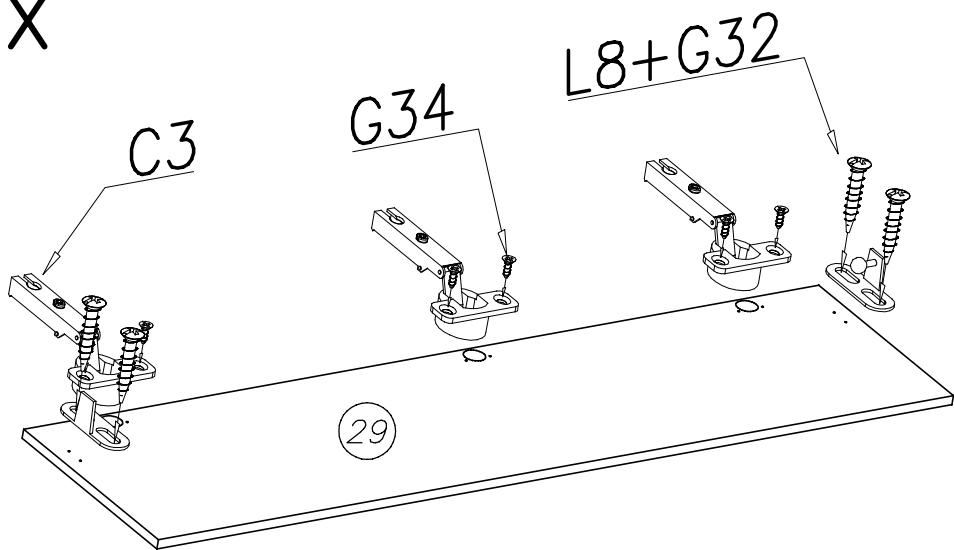


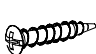
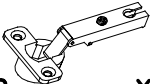


front

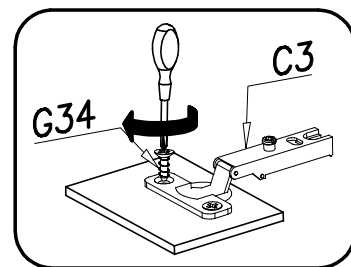




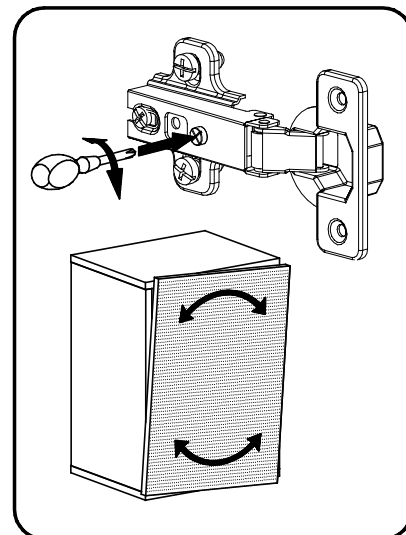
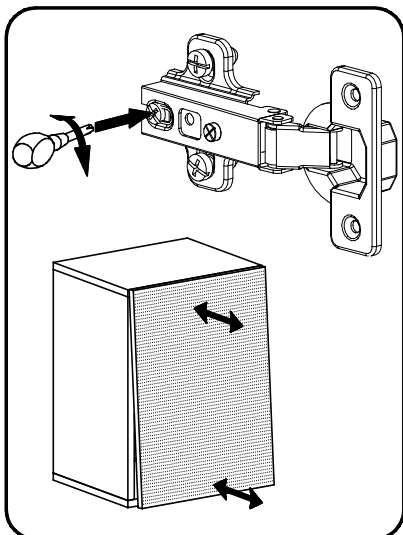
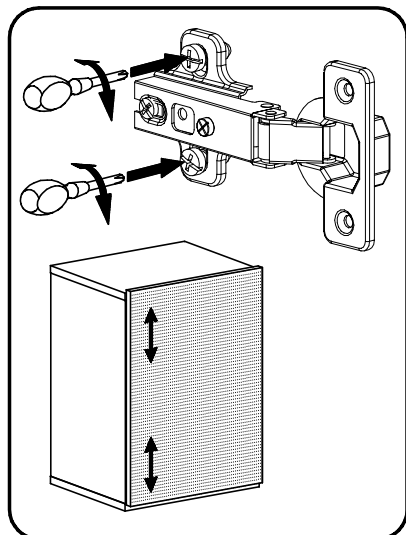
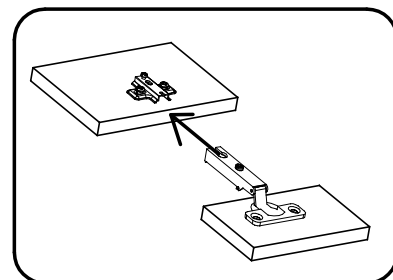
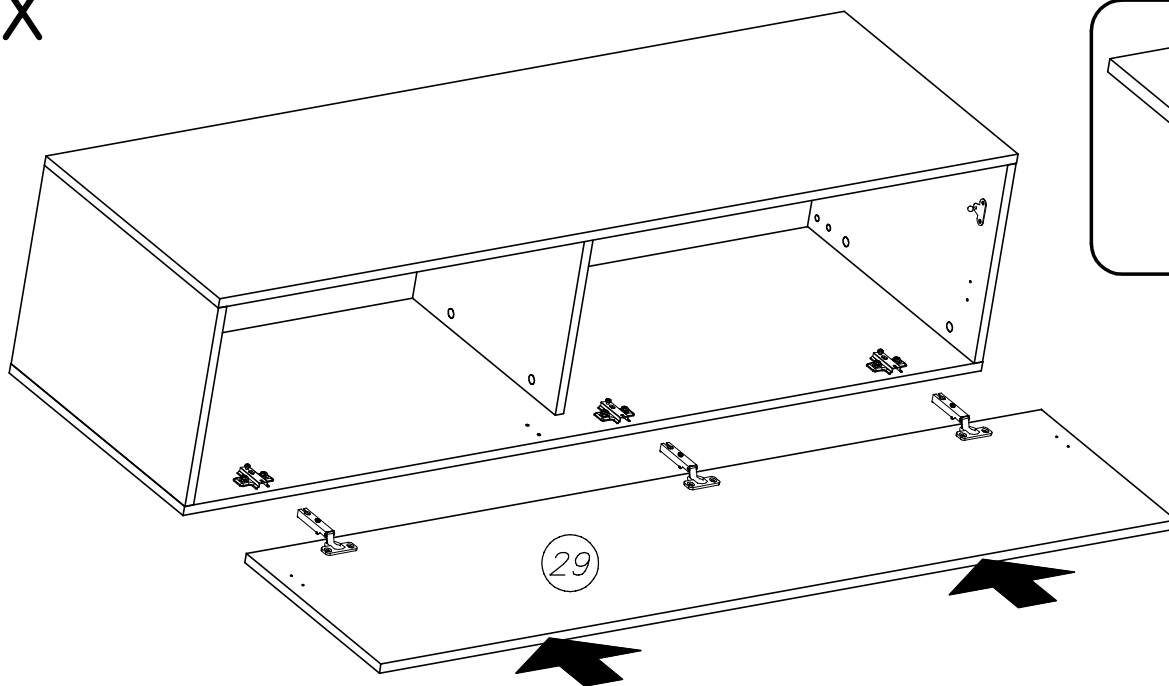
IX

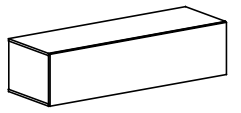


G32 3,5x16		x4	C3 Z35PR		x3
L8		x2	G34 3,5x16		x6

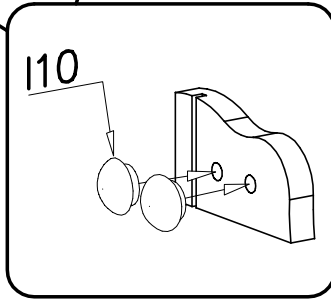
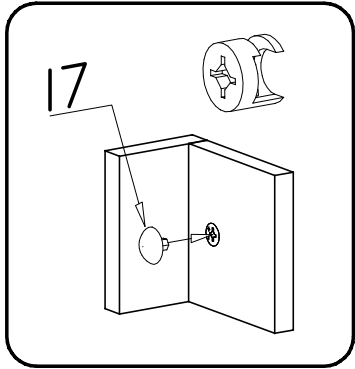
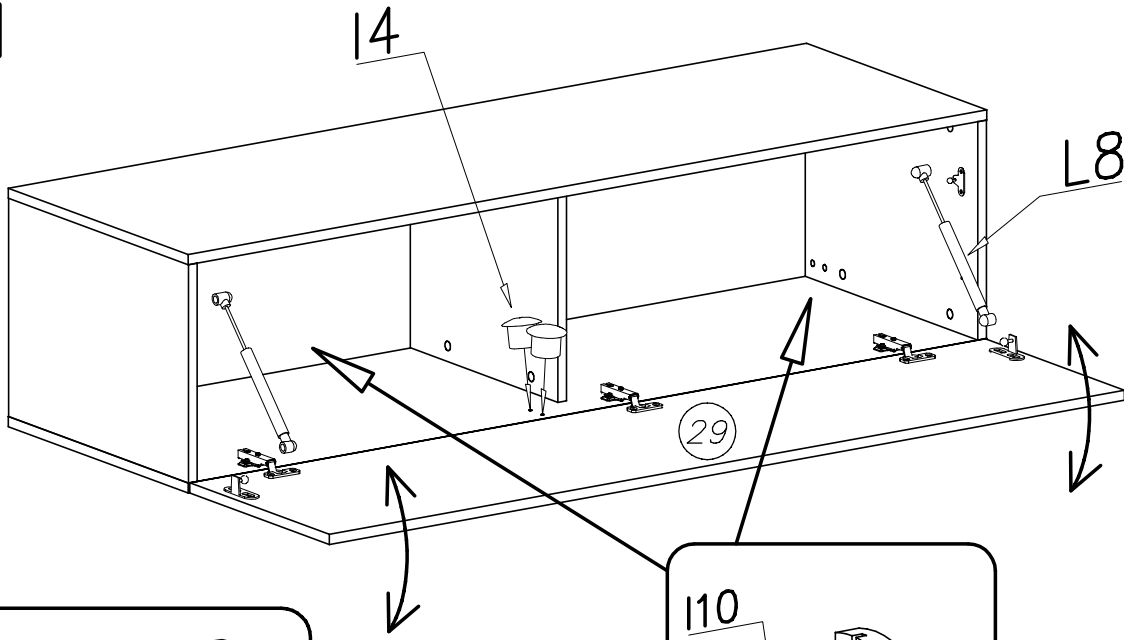


X

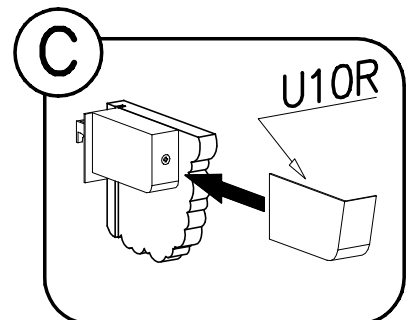
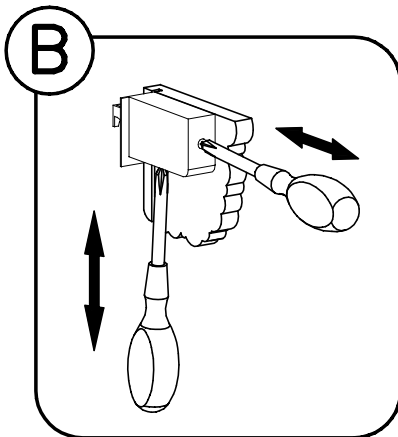
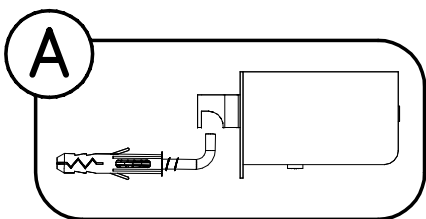
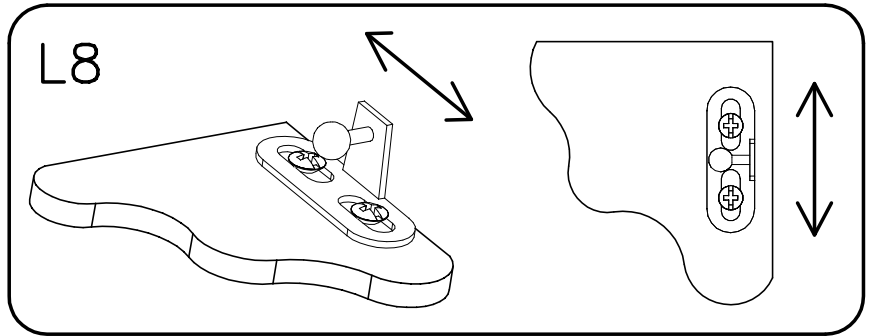
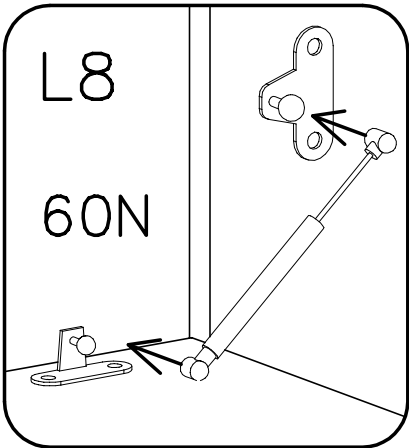


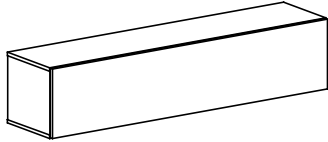


XI



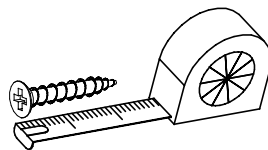
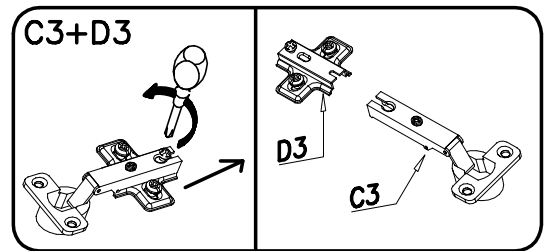
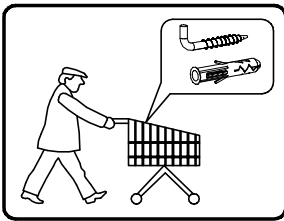
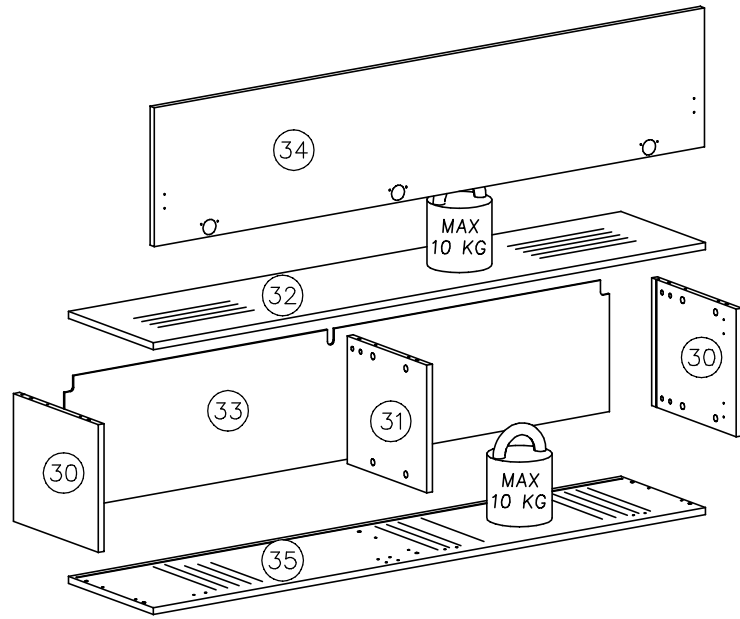
17		x12
∅18		
110		x4
∅10		
14		x6
∅5		
L8		60N
		x2
U10L		x1
U10R		x2

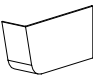
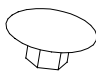



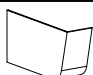
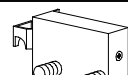
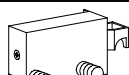

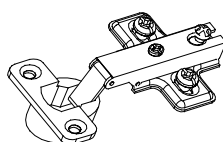

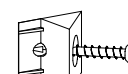
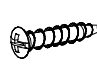
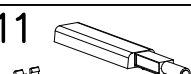

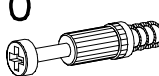
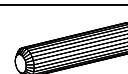
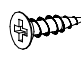




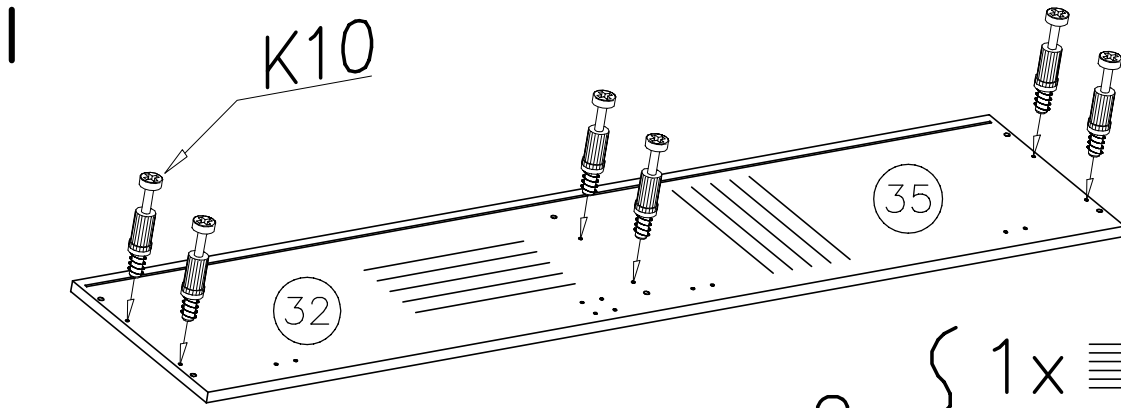
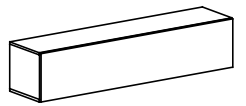
Colli 4

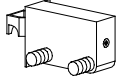
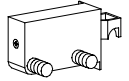

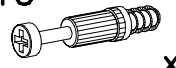

nr	L[mm]	B[mm]	T[mm]	Menge	Colli
30	294	328	16	2	4/4
31	294	308	16	1	4/4
32	1500	328	16	1	4/4
33	1479	306	3	1	4/4
34	1494	320	16	1	4/4
35	1500	328	16	1	4/4



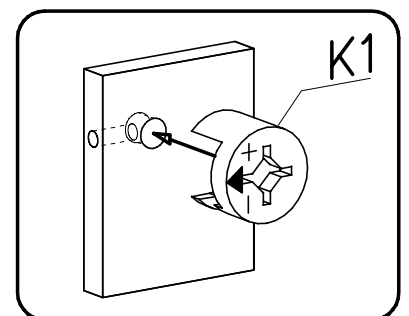
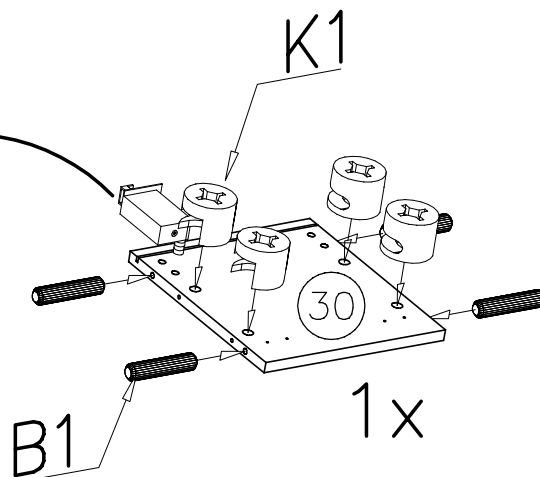
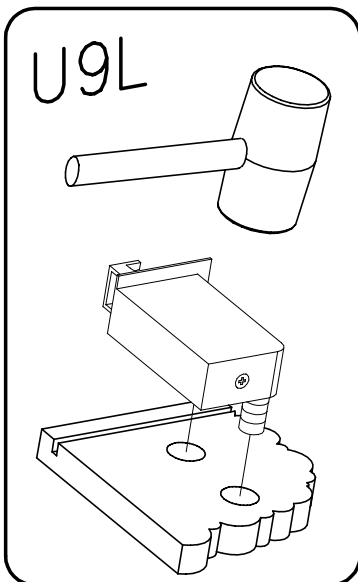
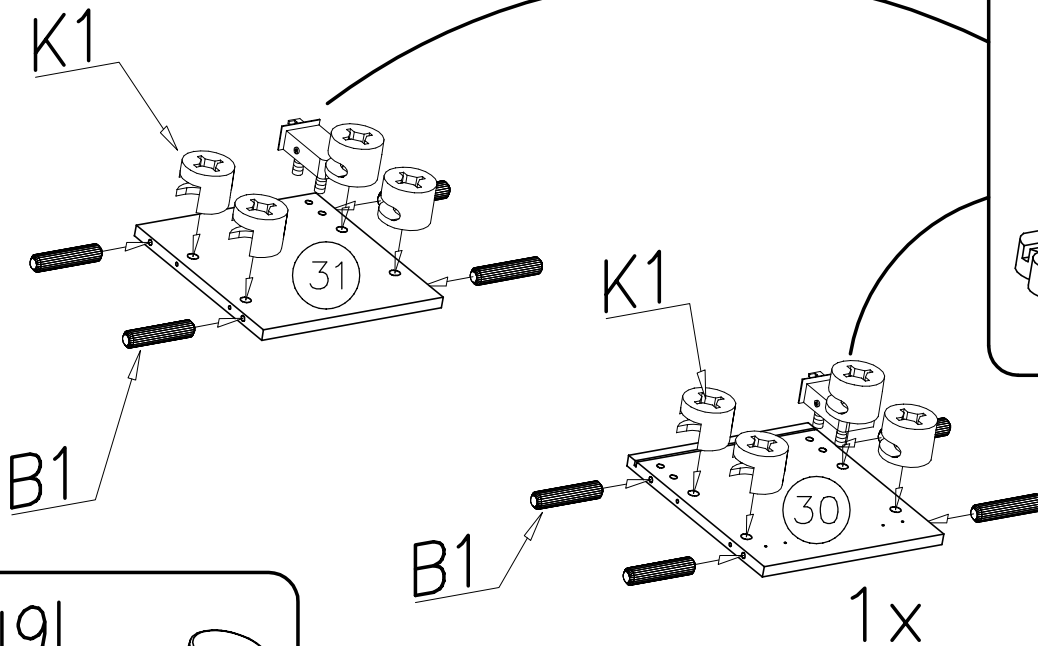
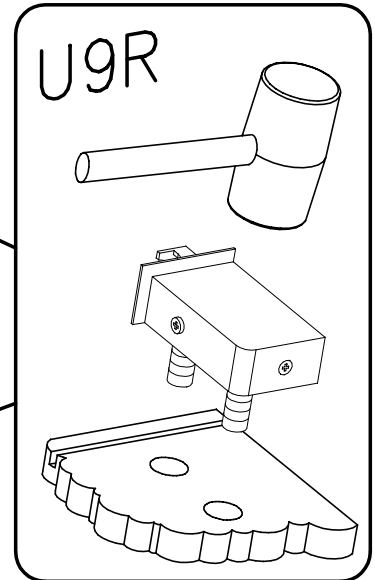
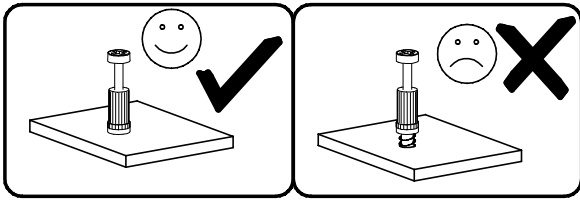
U10L  x1	I7  ø18 x12	I4  ø5 x6	I10  ø10 x4	G12  4x25 x4
U10R  x2	U9L  x1	U9R  x2	L7  80N x2	C3+D3  Z35PR x3
K1  ø15x12 x12	I1  x10	G32  3,5x16 x8	L11  x2	G50  6x13 x4
K10  x12	B1  ø8x35 x12	G34  3,5x16 x10		

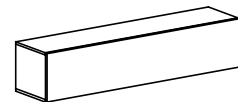




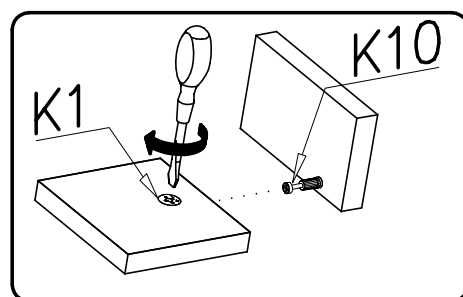
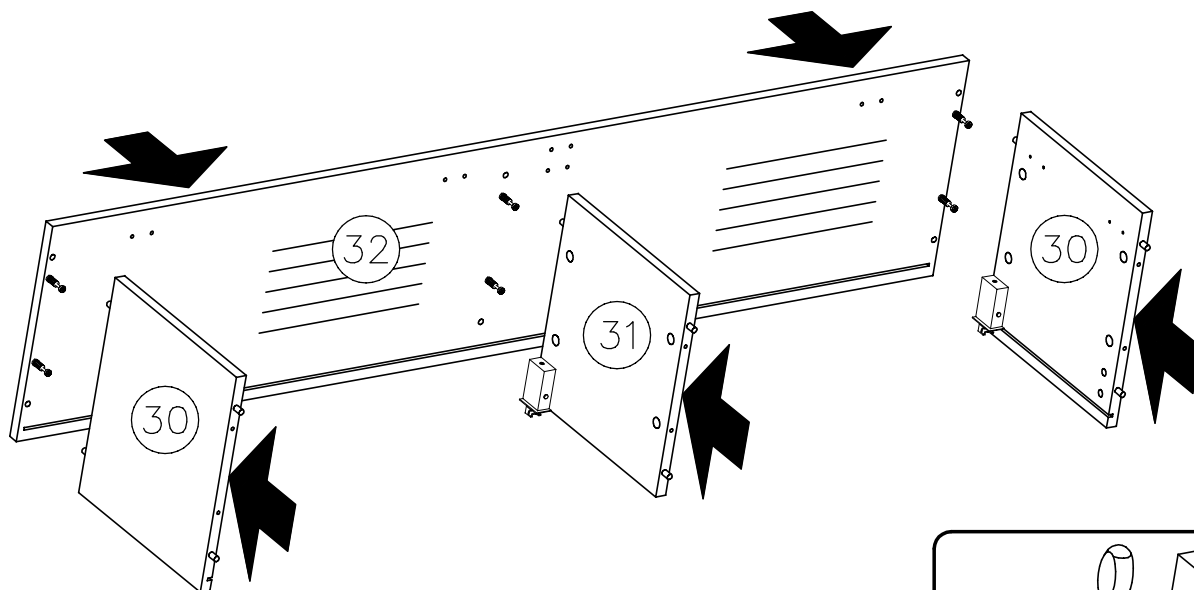
- U9L  x1
- U9R  x2
- K1  x12  
ø15x12
- K10  x12
- B1  x12  
ø8x35

2x { 1x ≡≡≡  
1x ≡≡≡≡

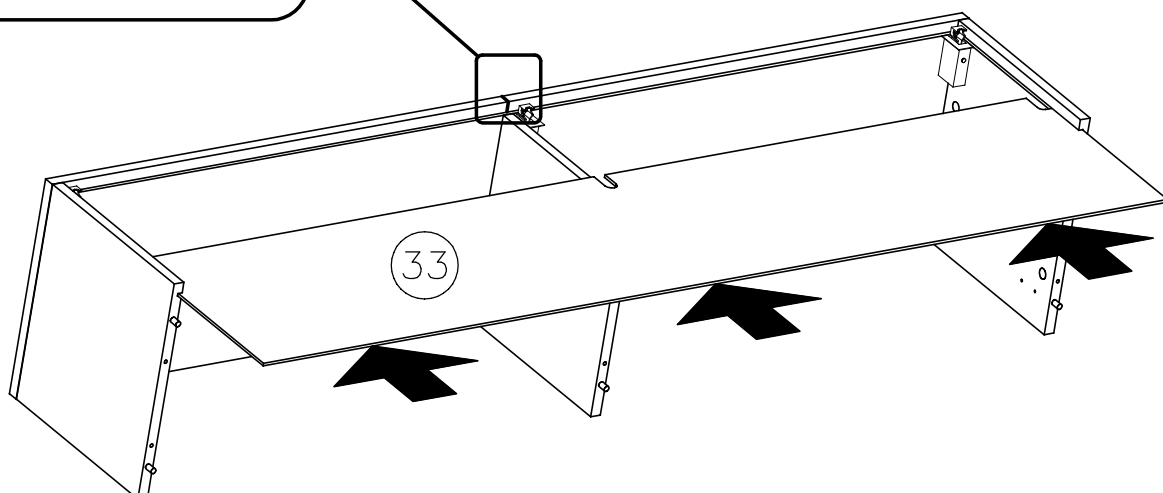
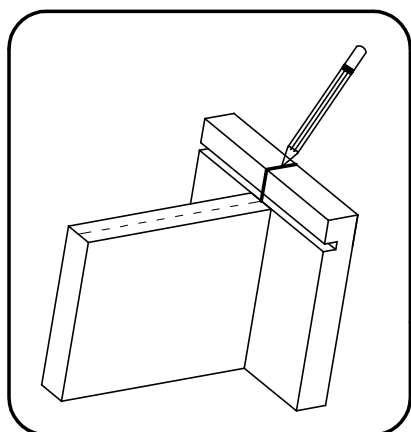


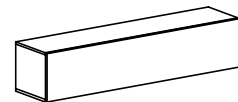


II

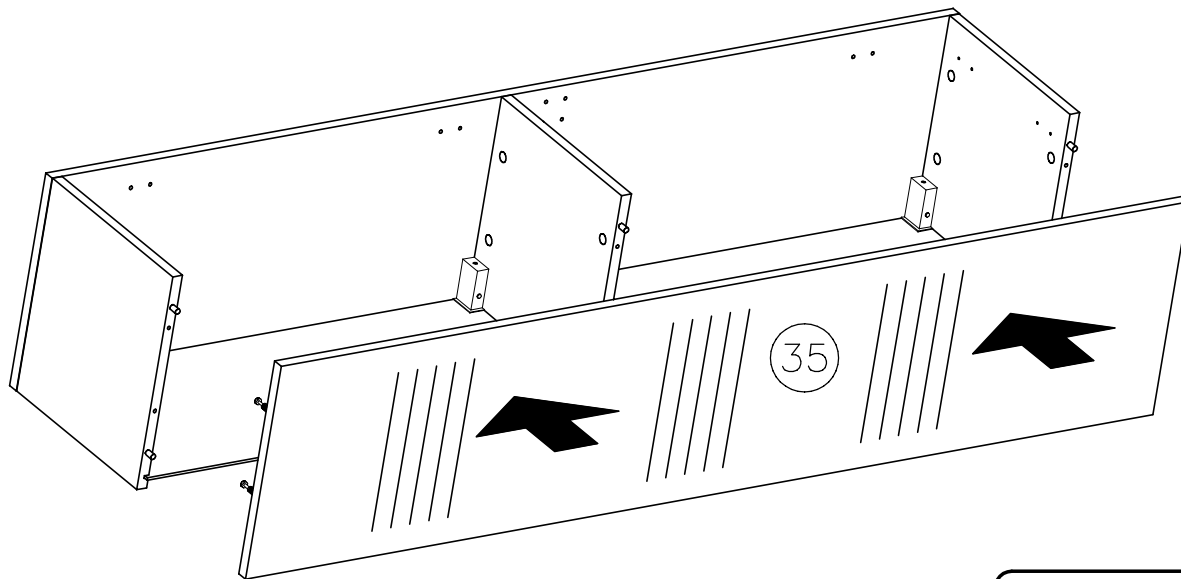


III

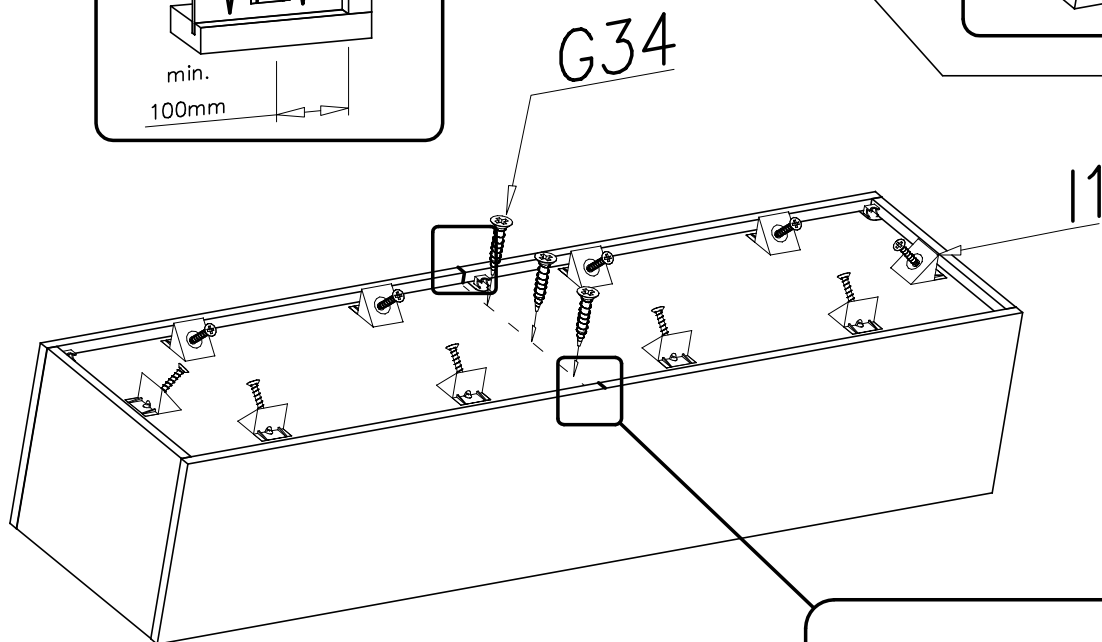
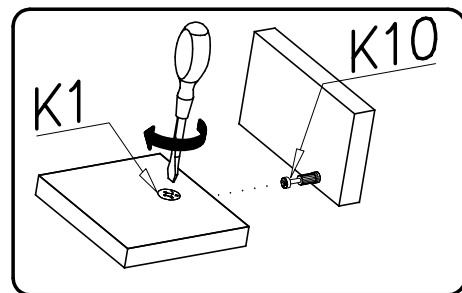
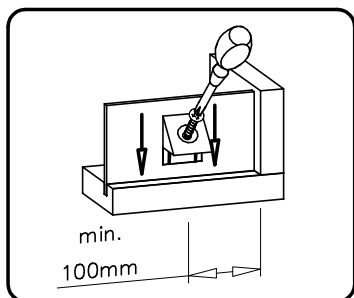




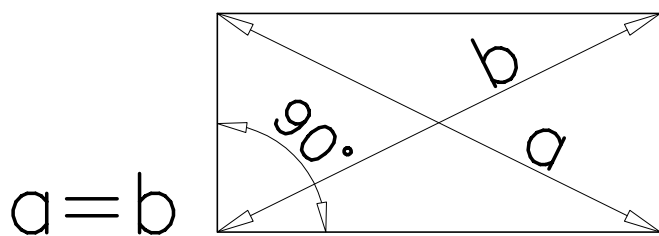
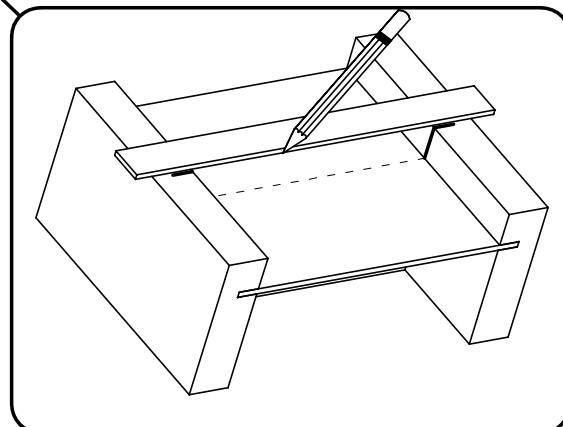
IV

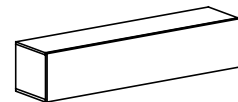


V

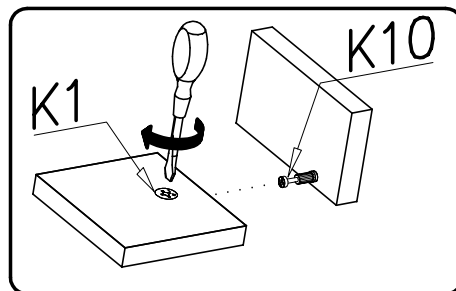
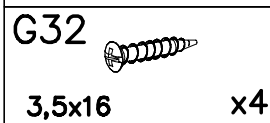
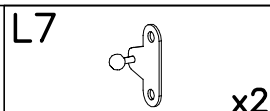
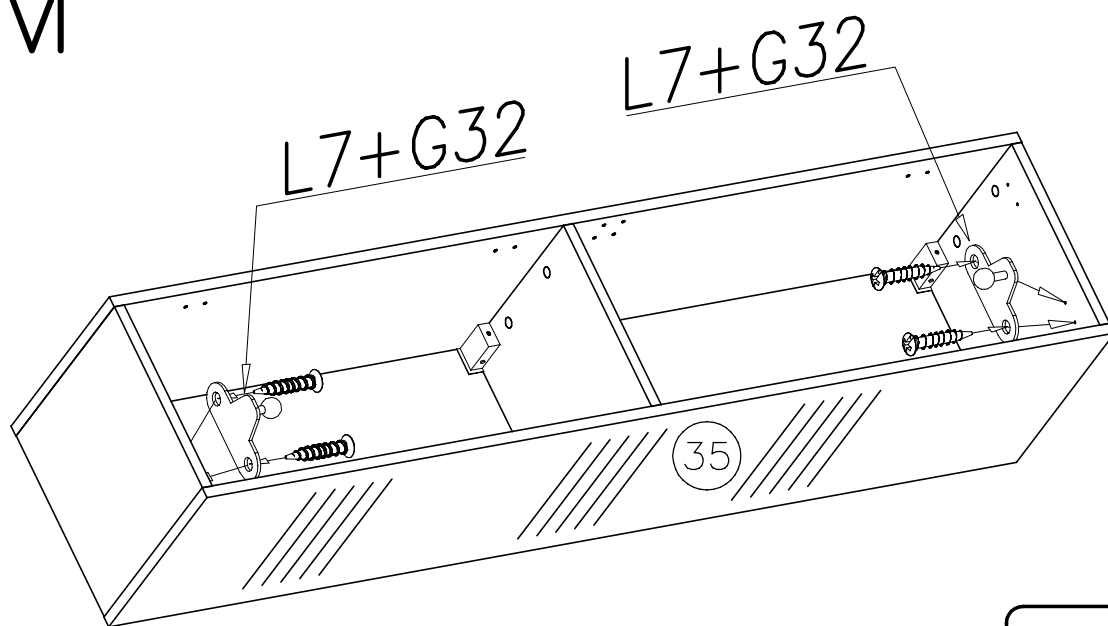


- |     |        |     |
|-----|--------|-----|
| I1  |        | x10 |
| G34 |        | x4  |
|     | 3,5x16 |     |

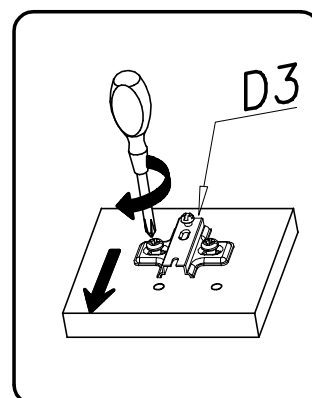
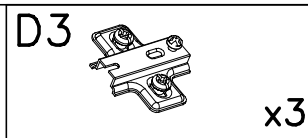
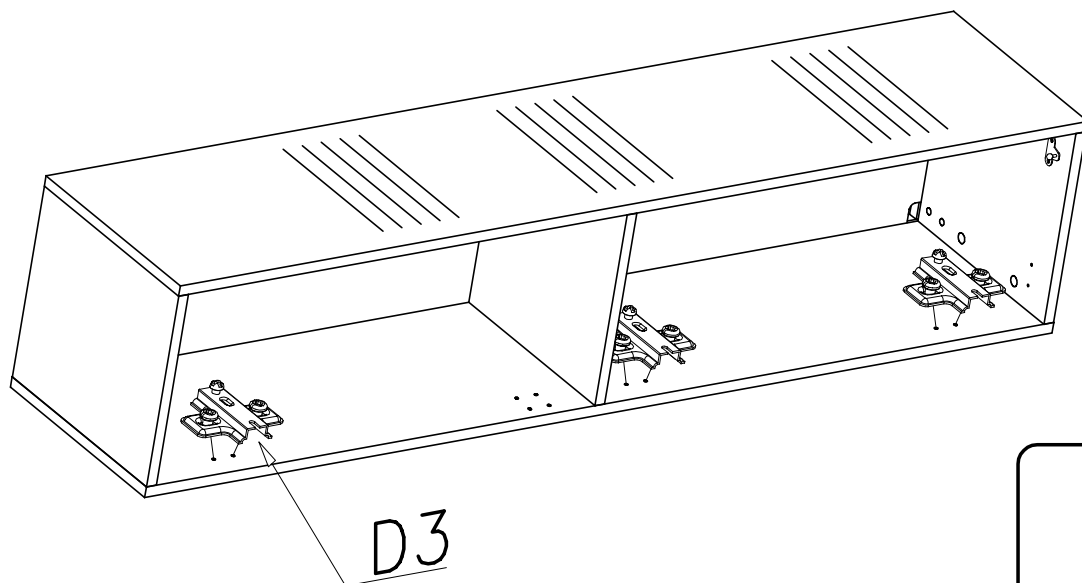


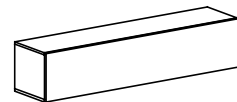


VI

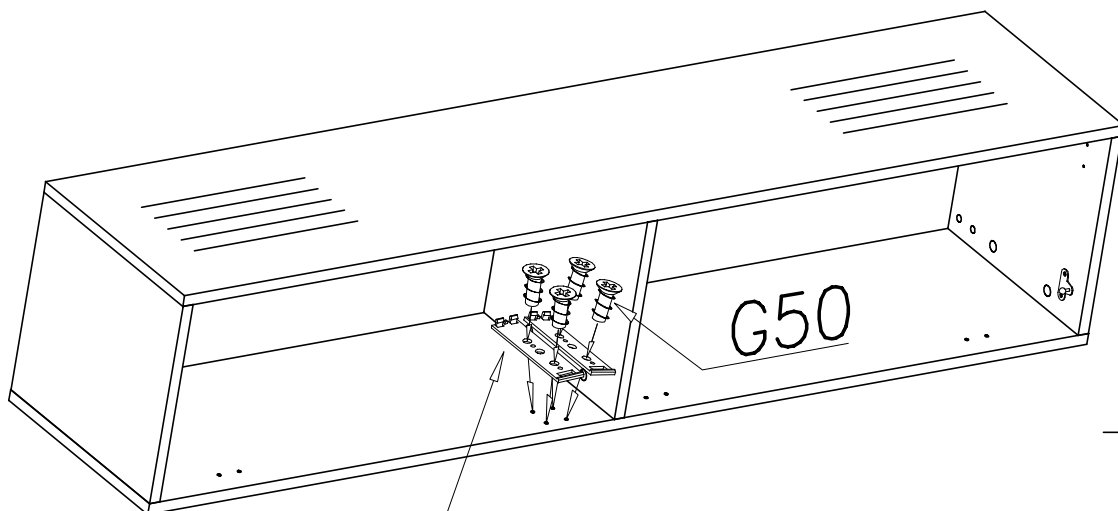
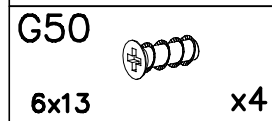
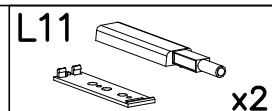


VII



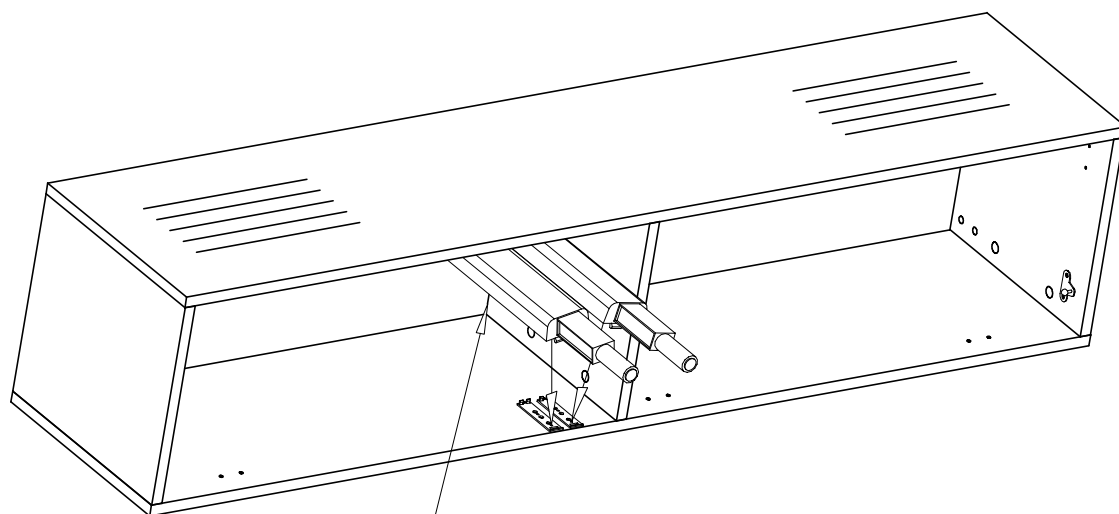
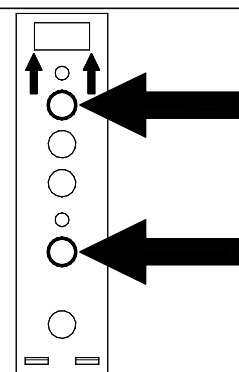


VIII

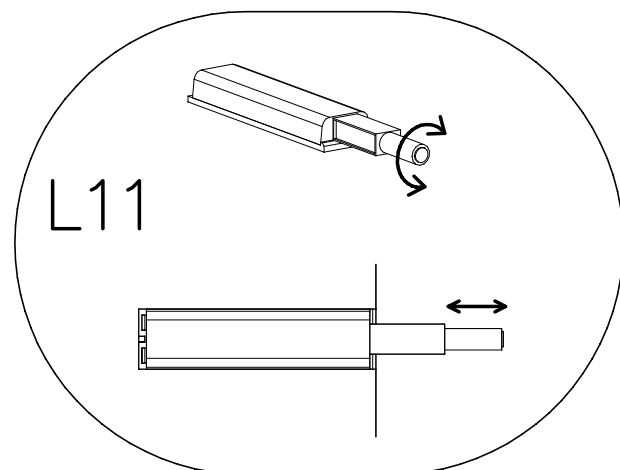
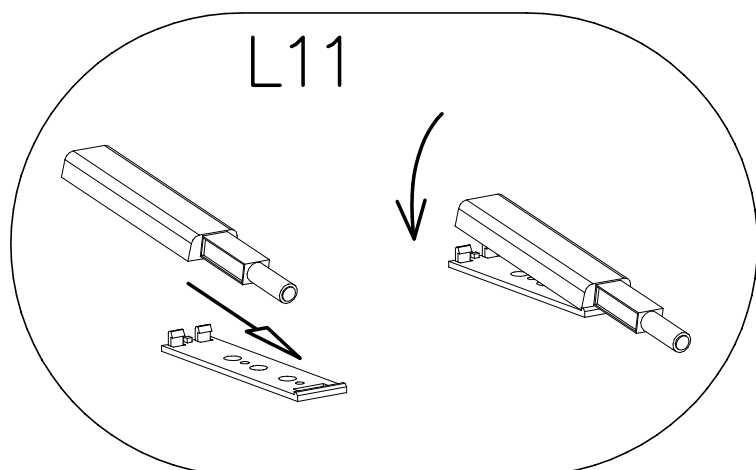


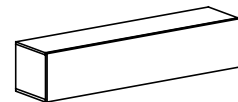
L11

front

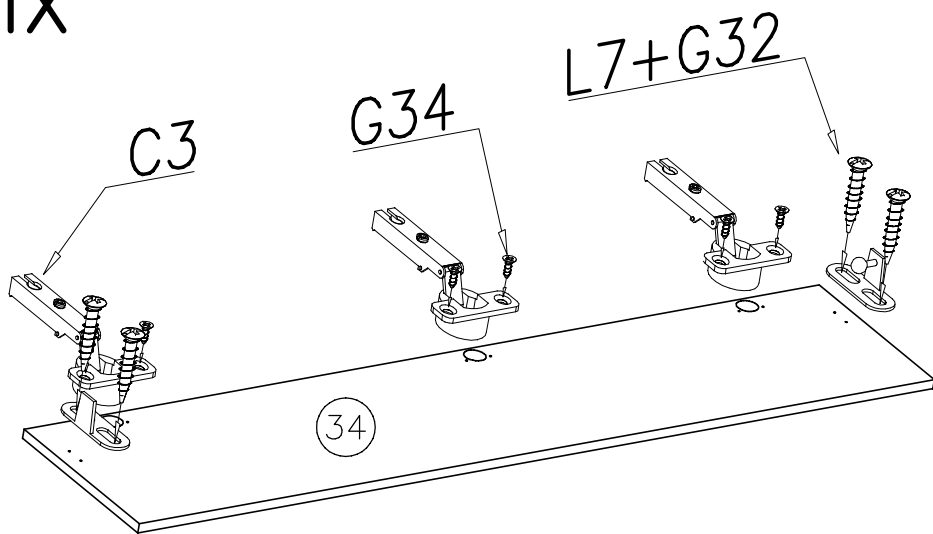


L11





IX



G32  
3,5x16

x4

C3  
Z35PR

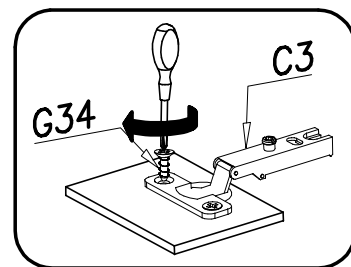
x3

L7

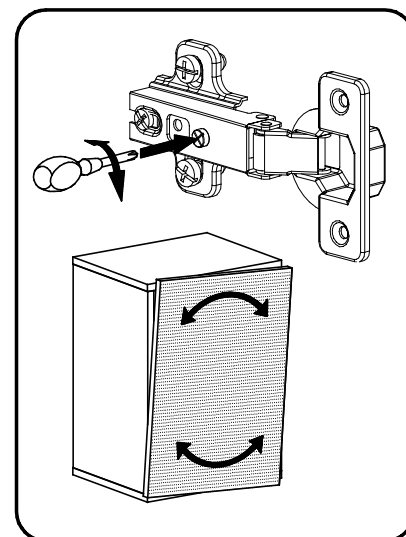
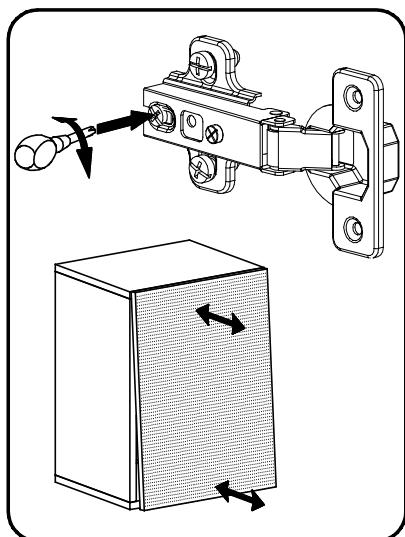
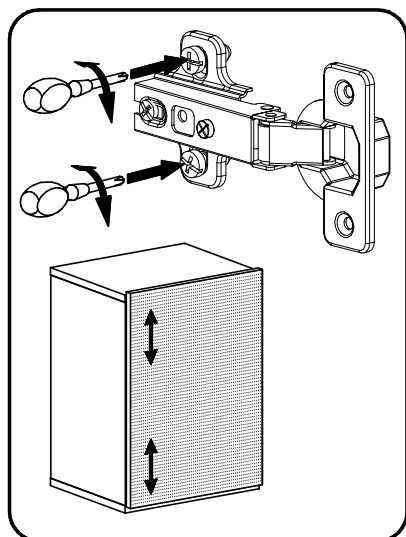
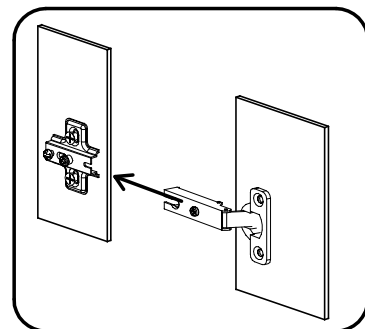
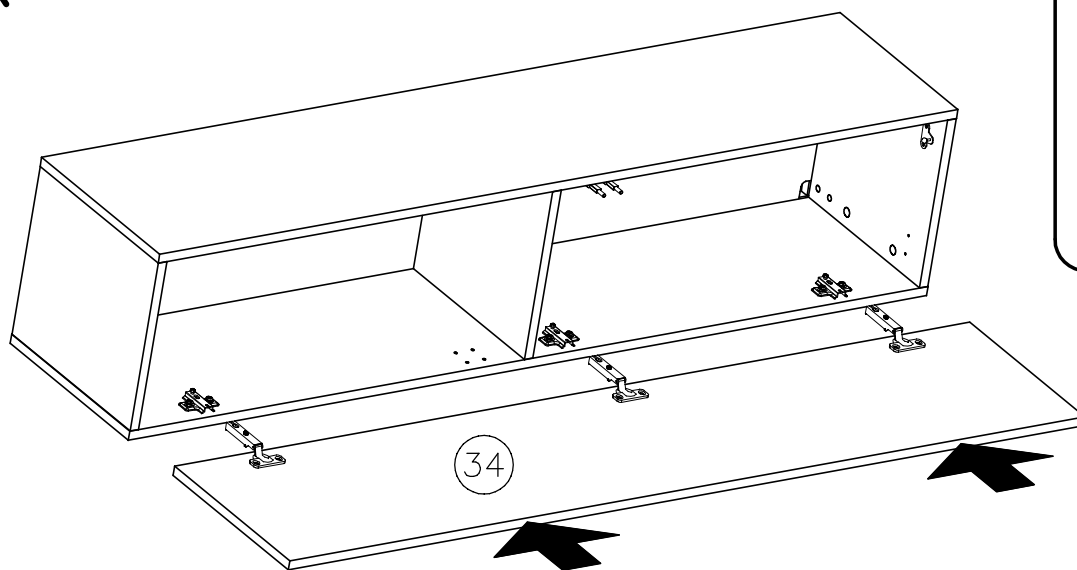
x2

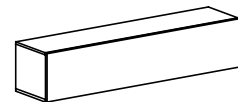
G34  
3,5x16

x6



X





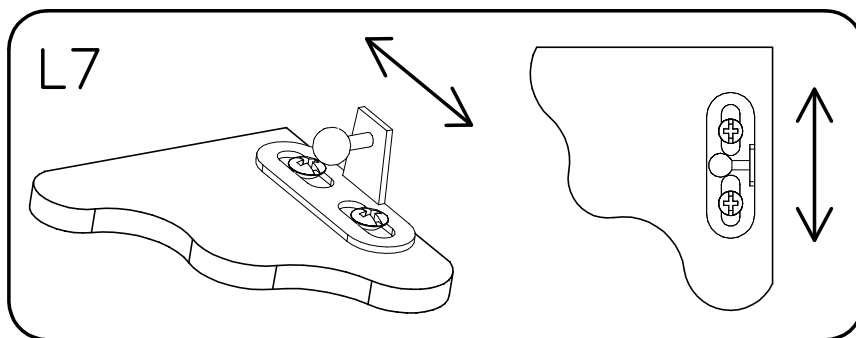
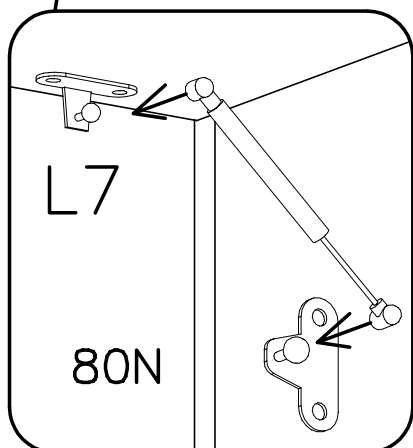
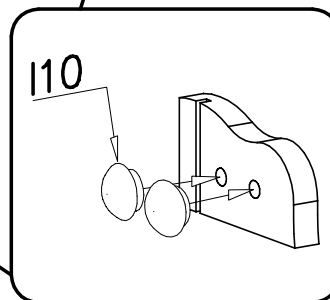
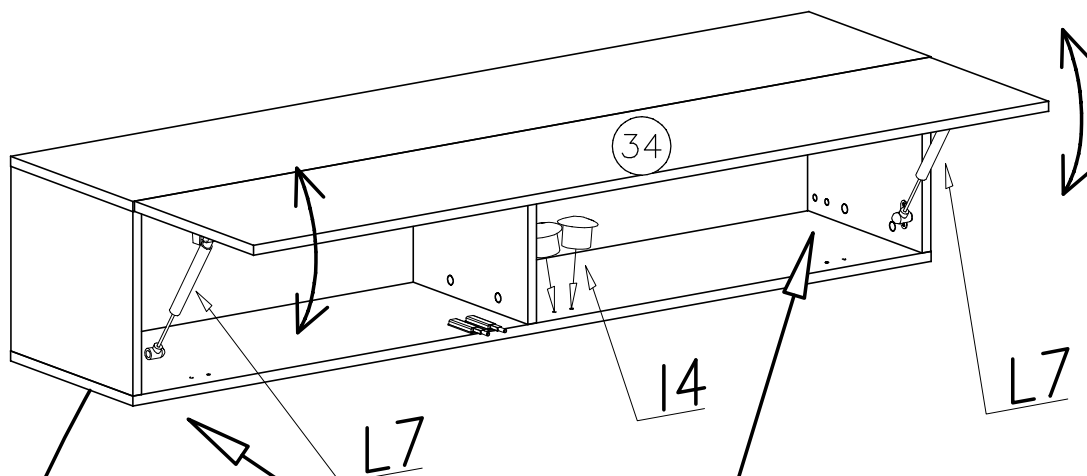
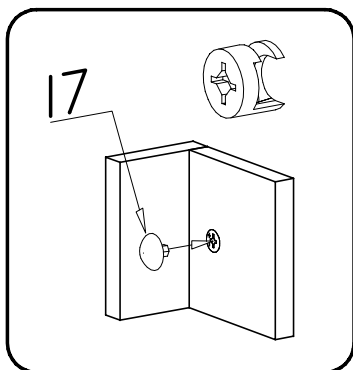
## XI

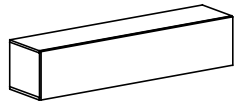
14  
ø5  
x6

L7  
80N  
x2

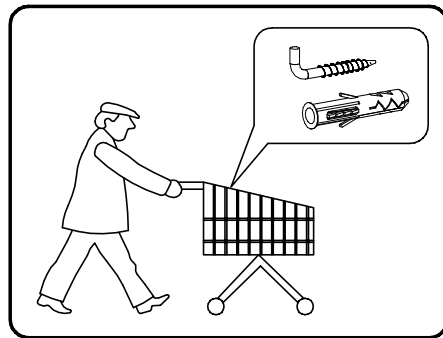
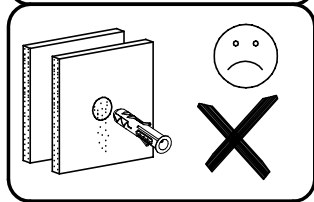
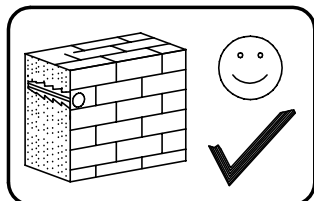
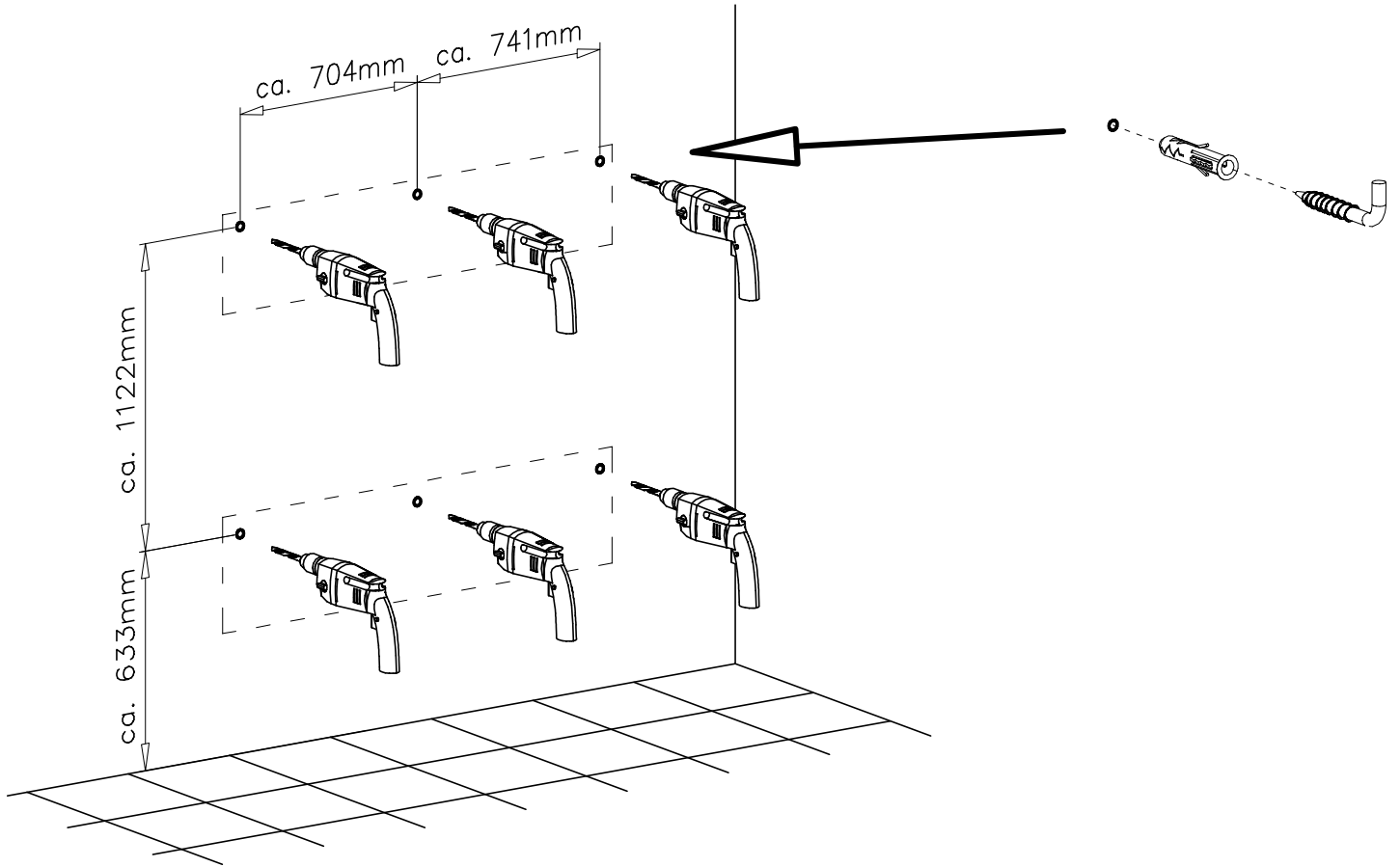
17  
ø18  
x12

110  
ø10  
x4

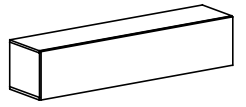




XII







XIII

G12



4x25

x4

U10R



x2

U10L



x1

